



Formerly Alutec Systems India Pvt. Ltd.

Hardware Solution for Aluminium Windows & Doors

Hotel Grand Estancia, Salem, Tamil Nadu



QUALITY | CONSISTENCY | ELEGANT | SUSTAINABLE | GREEN | AFFORDABLE | DELIVERABLE



Edition No.3 : February 2015

Sia *superia*

An exclusive collection of Wood & Metal
Cladded Products in Aluminium,
Bronze or Copper Profiles.
Imported from Italy in completely
assembled condition.

Alutec Systems India Pvt Ltd
is now
Siadow Systems Pvt. Ltd.

4500C is now **Sia Casement 4500C**

260S is now **Sia Slide 260S**

280S is now **Sia Slide 280S**

370S is now **Sia Slide 370S**

INTRODUCING
Sia Rail GR14
ALUMINIUM & GLASS RAILING
from Compas Srl, Italy

SIADOW SYSTEMS PVT. LTD.

Presents

Italian Windows & Doors

- ❖ Aluminium Profiles - Italian Design, Produced in India by **Leading Extrusion Companies in India.**
- ❖ Accessories, Hardwares, Gaskets and Woodpiles – from Europe.
- ❖ Windows produced with Italian machineries for precision.
- ❖ Surface Finishing – Anodizing, Powder Coating & Decoral Wood Finish at Approved Applicators.
- ❖ GLAZING – Single & Double Glazing, Toughened, Laminated options available.
- ❖ Many Projects executed by our Associates all over India.
- ❖ Business Associates in all Major Cities can execute Projects anywhere in India.

Company Profile

Incorporated in July 2004, **Siadow Systems Pvt. Ltd (SSPL)** (Formerly Alutec Systems India Pvt Ltd) represents some Leading European Companies in the field of Aluminium Windows & Doors. **SSPL** promotes **4500C Casement & 280S Sliding Systems** in cooperation with **Alutec Srl, Italy** and **260S & 370S Sliding Series** in cooperation with **ETA, Italy**. These four systems can take care of nearly any kind of Typology of Windows & Doors. Due to commitment towards **Quality & Service**, in a short span, **Siadow Systems** (formerly Alutec Systems India Pvt. Ltd.) is now a point of reference in the Window Industry. Many Fabricators across India are using Siadow Systems in their Projects.

Profiles are produced at **Leading Extrusion Companies in India** as per specifications laid by our Italian Principals. Accessories, Hardwares, Gaskets & Wool Piles are imported from Europe. In addition to Standard RAL colours, SSPL offers Accessories in many finishes like Inox, Silver, Gold including other Fanciful Finishes.

SSPL has selected **Fabricators** in all major cities of India who are trained and well equipped with imported machineries. Our dedicated Punching Machine does most of the Fabrication Operations which is precise and consistent. Hence, you are assured of **Quality** Window & Door Products of International Standards. Profiles can be Anodized, Powder Coated or PVDF Finished. It can also be offered in **DECORAL Wood Finish**.

SSPL in support and co-operation with **ETA, Italy** and other European Suppliers extend technical and commercial support to all its Fabricators.

Several Projects – Residential, Commercial, Hotels, Hospitals and Schools have been executed by Fabricators using our Systems :- Ahuja Towers in Mumbai, Bella Vista in Chandigarh, Arun Excello in Chennai, Kokilaben Dhirubhai Ambani Hospital in Mumbai, Sai International School in Rishikesh, Urbana in Kolkatta and many more ongoing projects.

At SSPL, it is a constant endeavor to upgrade existing products, introduce new products and solutions. This helps us and our Fabricators to offer latest products and remain ahead of competition.

With **Siadow Systems**; you are assured of quality & consistency.

OUR PRINCIPAL COMPANY

The logo for ETA (Estrusione Technologies Avanzate) features the letters 'ETA' in a bold, stylized font. The letters are filled with a vibrant red color and have a metallic, brushed-aluminum texture. The 'E' and 'A' have a slight shadow effect, giving the logo a three-dimensional appearance.

Estrusione Technologies Avanzate [ETA], has been in Italian market since 1992. In a short time, it reached its target of productivity & quality which brought the START Series to the forefront of Architectural Aluminium Profiles in Italy. This leading position has been achieved through constant technological and process improvement. ETA's START 410, 510 & 900S are Cold Systems while START 470TT, 560TT, 640TT, 760TT, 900STT & AS1300S are Thermal Break Series. ETA also has Aluminium Wood Systems both in Casement & Sliding.

SSPL has Licensee Agreement with ETA to promote all ETA Systems throughout India. 260S & 370S, now popular in India are based on START 410S & 900S Systems respectively. ETA extends Technical support to SSPL.

Our Principal Suppliers

A top class Accessory & Hardware producer in Italy. Wide range of Accessories for Casement & Sliding windows. Available in RAL Colours, Gold, Silver & Inox finishes. 4500C & 280S series have been developed in close cooperation with Alutec Srl.
www.alutec.it



Complete System for Wood Finish on Aluminium Profiles which is for External Application. Decoral reproduces with absolute accuracy Wood Grain structure in Mat, Texture and Gloss finishes adding great aesthetic value to Windows & Doors. Recently it introduced its Super Durable Range, the Gold Series. Decoral Group also offer GI Colour which is Pure Polyester based and is available in amazing range of finishes & colours.
www.decoral-system.com



Largest and Finest Producer of Wool Piles in the World. Wool Pile with Silent Fin is most efficient in Sliding. Window become Dust Free and reduces Sound significantly.
www.schlegel.com



MR is an international group headquartered in Portugal, providing excellent services to customers in Handles, Hinges, Locks & Accessories for Aluminium Windows & Doors.
www.mrodrigues.pt



ISAM is known as the leader in Wood & Metal cladded Windows and Doors. It has built its image and reputation on reliability, excellent quality and experience in wood-working, offering Quality, Style & Design. ISAM consist of Window Frames, Doors & Blinds suitable for Building Systems with Low Energy and passive buildings to zero emissions. The production is built around a range of artefacts of Lamellar Precious Woods cladded in Aluminum, Bronze & Copper.
<http://www.isamser.it>



Compas SRL is one of the leading Italian Companies in the design of Aluminium Railings. Their GR-14 Railing System is immensely popular Aluminium Railing Systems in Europe.
<http://www.compas-srl.it/>



Formed more than a century ago in 1889, Savio is a Global Leader in the Production of Hardware for Aluminium Doors & Windows in Europe and throughout the world. Today, the Savio trademark is a synonym for Absolute Quality and All-Round Reliability in more than Sixty Countries in various parts of the world.
<http://www.savio.it/>



SSPL offers Accessories & Hardwares dedicatedly developed for their Systems from other Companies as well. All of them are European in origin.

Few non fundamental Nylon components are sourced from India

SIADOW SYSTEMS for Various Applications

CASEMENT	SLIDING			OTHERS
4500C	260S	280S	370S	----
Windows	Windows	Windows	----	Insect Screen
Doors	----	Doors	Doors	Bathroom & Toilet Doors
Partitions	----	----	----	Glass Louvers
Louvers	----	----	----	Railings

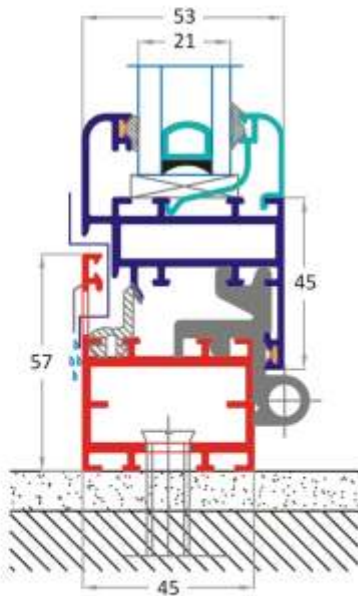
Imported Windows & Doors from Italy & Spain

ETA THERMAL BREAK	ISAM
560TT Casement	Wood and Metal Windows
640TT Casement	----
900TT Sliding	----
AS1300 Sliding	----

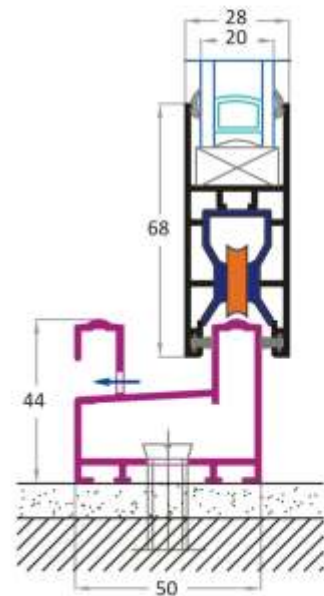
DISCLAIMER

THE QUALITY, PERFORMANCE AND WARRANTIES OF THE FINAL WINDOW & DOOR RESTS ON THE FABRICATOR PRODUCING AND INSTALLING THE WINDOW. ARCHITECTS, BUILDERS, PROJECT CONSULTANTS AND INDIVIDUAL CUSTOMERS ARE REQUIRED TO VERIFY THE FABRICATOR AT THEIR LEVEL DETERMINING THE CAPABILITY OF THE FABRICATOR. Siadow Systems will not be responsible for any kind of defect in Windows & Doors produced by Fabricators using the name of Siadow Systems.

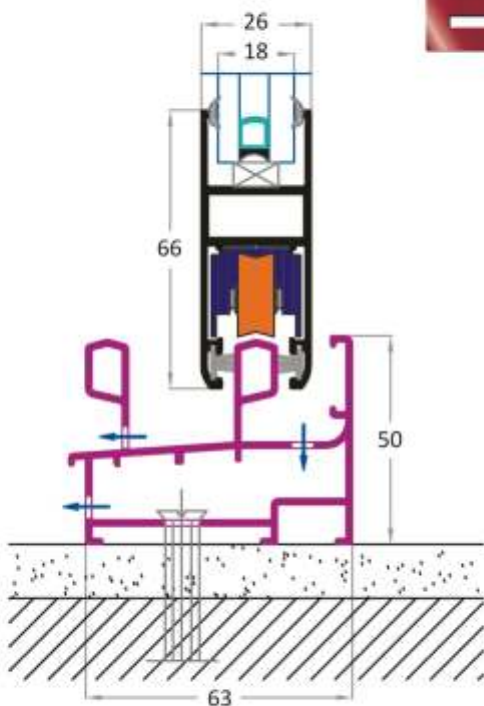
FOUR ITALIAN SYSTEMS NOW IN INDIA



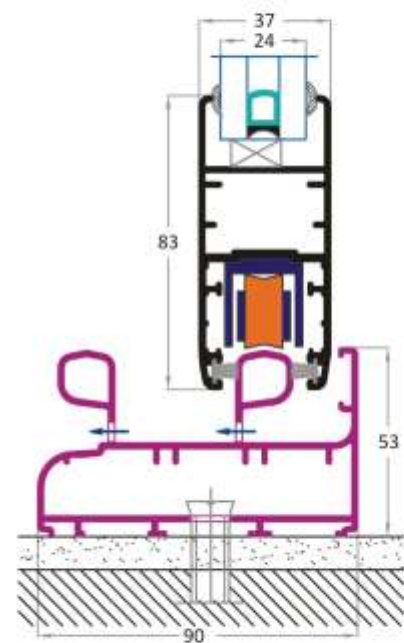
Sia Casement 4500C
CASEMENT WINDOWS & DOORS



Sia Slide 280S
SLIDING DOORS & WINDOWS



Sia Slide 260S
SLIDING WINDOWS



Sia Slide 370S
SLIDING DOORS

LIST OF PROJECTS

No.	Name of Projects	Place	Utility	System	Status
1	Connoisseur Twin Tower	Gurgaon	Residential	4500C, 260S	Completed
2	Meghdutam Tower	Noida	Residential	370S	Completed
3	Tata Power	Mundra, Gujarat	Commercial/Residential	4500C	Completed
4	IIT	New Delhi	Educational Institute	4500C	Ongoing
5	IISER	Bhopal	Educational Institute	4500C	Ongoing
6	Bella Vista	Chandigarh	Hotel, Shopping Mall	4500C, 370S	Completed
7	Hotel Competent	Dehradun	Hotel	4500C	Completed
8	Sai International	Rishikesh	School	4500C, 280S	Completed
9	Krishna Enclave	Jaipur	Commercial	260S	Completed
10	Anat Acharya	Udaipur	Residential	4500C, 260S	Completed
11	Sujata Exports	Jaipur	Commercial	4500C	Completed
12	J.K.Birla	Jaipur	Residential	4500C, 260S	Completed
13	Tata Shares	Indore	Commercial	260S	Completed
14	Arvend Hotel	Salem	Hotel	4500C, 260S	Completed
15	Mercedes Benz	Pune	Residential	4500C	Completed
16	I N A Bearing	Pune	Commercial	4500C	Completed
17	Kokilaben Dhirubhai Ambani Hospital	Mumbai	Hospital	4500C	Completed
18	Zillion Hotel	Mumbai	Hotel	4500C	Completed
19	Vilasrao Deshmukh School	Vashi	School	4500C	Completed
20	Oberoi Villas	Mumbai	Residential	370S	Completed



LIST OF PROJECTS

No.	Name of Projects	Place	Utility	System	Status
21	Goan Real Estate	Goa	Residential	4500C 370S	Completed
22	Aldieade Goa	Goa	Residential	4500C 370S	Completed
23	Prudential Paradise	Goa	Residential	280S	Completed
24	Le-Valencia	Goa	Residential	280S	Completed
25	Warden House	Mumbai	Commercial	4500C	Completed
26	White Lotus	Mumbai	Residential	4500C, 370S	Completed
27	Mittal Grandeur	Mumbai	Residential	4500C	Completed
28	Holiday Inn	Mumbai	Hotel	4500C	Completed
29	Fortune Hotel	Lavasa Pune	Hotel	4500C	Completed
30	Ishta Hotel	Hyderabad	Hotel	370S	Completed
31	L & T - Arun Excello	Chennai	Residential	4500C, 260S	Completed
32	Madura Garden Apt	Chennai	Residential	4500C	Completed
33	G.E.T. Power	Chennai	Commercial	4500C	Completed
34	Mahatma Gandhi Medical College	Pondicherry	College	4500C	Completed
35	The Empire	Kolkatta	Residential	4500C, 260S	Completed
36	Radissons	Ranchi	Hotel	4500C, 370S, 260S	Completed
37	Urbana	Kolkatta	Residential	4500C, 370S	Ongoing
38	Sri Avana	Kolkatta	Residential	260S	Ongoing
39	Ahuja Towers	Mumbai	Residential	4500C, 370S	Ongoing
40	Sky Towers	Mumbai	Residential	370S	Ongoing



Products from Alutec, Italy

The Alutec logo consists of the word "alutec" in a bold, lowercase, sans-serif font. The letter "a" is blue with a small orange dot above it. The remaining letters "l", "u", "t", "e", "c" are all blue. The logo is centered within a white rectangular box with a thin grey border.

299.603.XX



501.330.XX



402.401.01



G117.1.001



G117.1.010



503.420.XX



405.214.01



408.213.XX

Products from Savio, Italy

The Savio logo consists of a stylized 'S' with a yellow diagonal bar, followed by the word 'SAVIO' in a bold, white, sans-serif font, all contained within a blue rectangular background.

2070.830



2070.870



1115.1



879



2070.1

Products from MRODRIGUES, Portugal



MR 60



M 80



M 2006



9200D / 9200M / 9200G



2172



4308

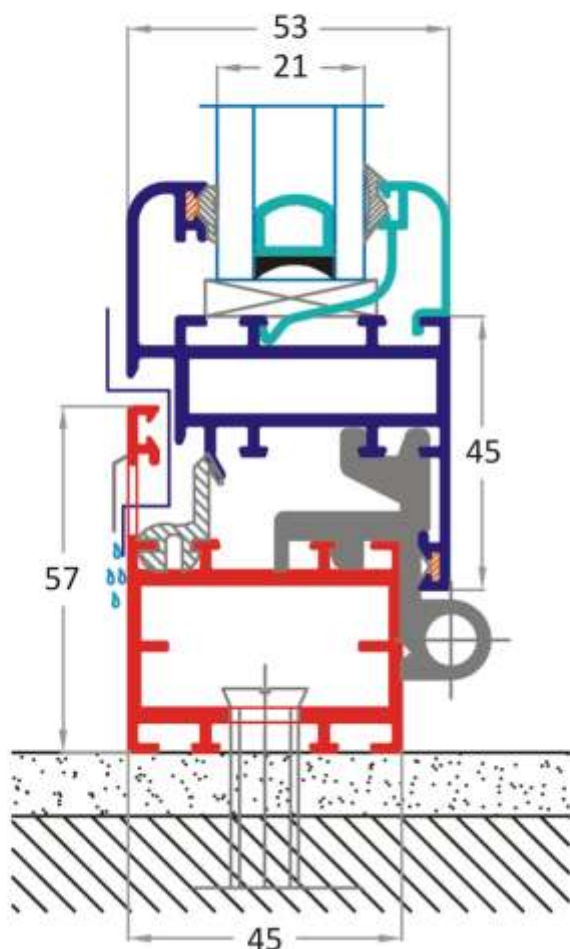


730



E 100

Sia Casement 4500C WINDOWS & DOORS

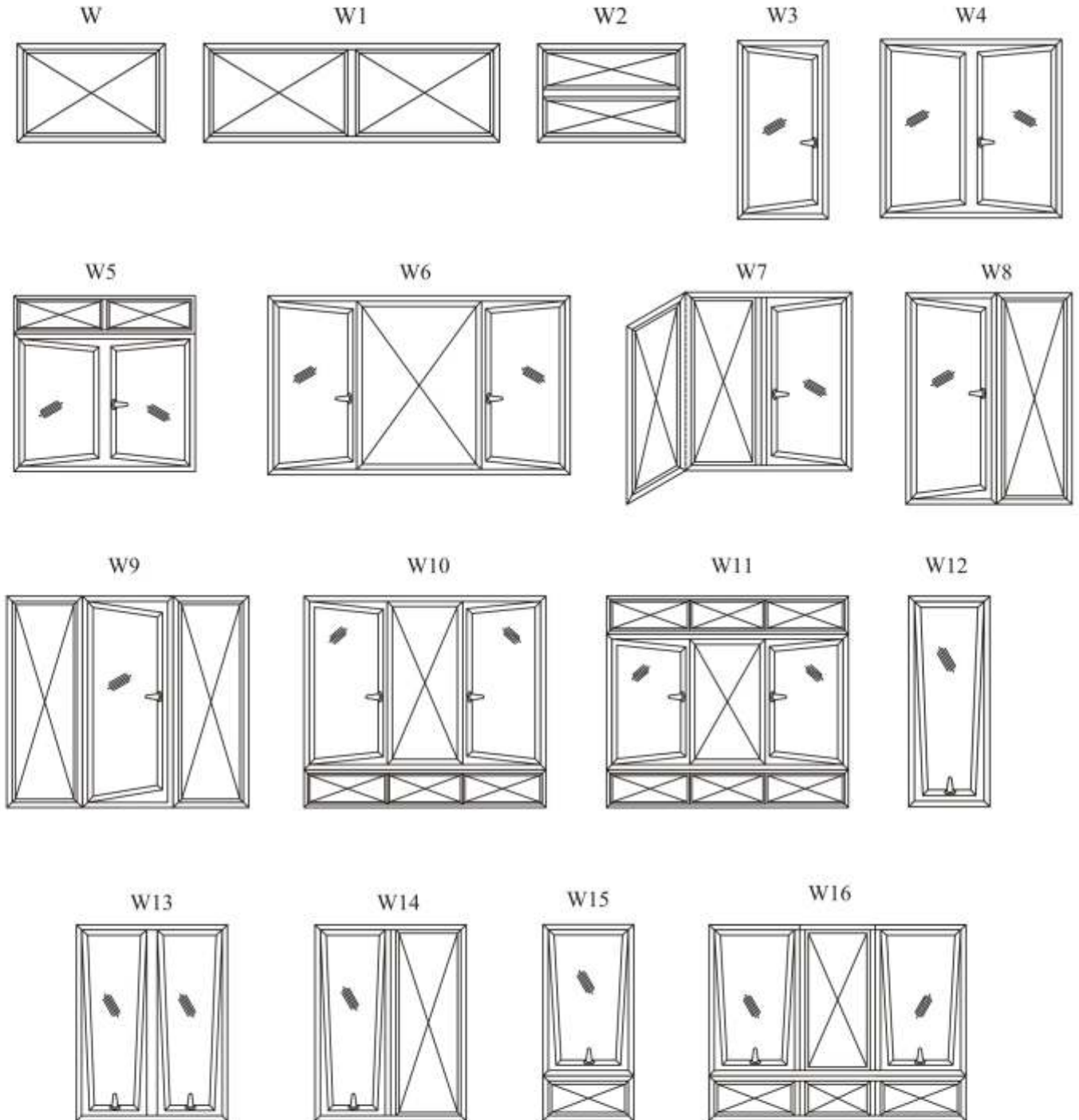


FEATURES

- ❖ Glazing from 4 mm to 21 mm.
 - ❖ Glazing Bead in Round & Square Shapes.
 - ❖ Glazing from Inside for Security.
 - ❖ Corner Joints & T- Joints For Stronger Mechanical Joineries.
 - ❖ Co-Extruded Gaskets which can withstand -30°C to $+50^{\circ}\text{C}$.
 - ❖ Single Point to Multi Point Locking for Security.
 - ❖ Smooth and effortless in operation
 - ❖ Designed for Larger Openings and High Wind Load Conditions.
 - ❖ Available in Anodized, Powder Coated and Decoral Wood Finish.
 - ❖ Internal and External opening, Top Hung, Pivot, Tilt & Turn Window Possible.
 - ❖ High Performing Doors & Partitions.
- ❖ **More than 40 Profiles developed to meet and offer a varied range and options.**
 - ❖ Aluminium Profiles produced by Leading Extruders in Alloy **6063 T6** Temper as per **IS-6477 1983** for Dimensional Tolerances and **IS-1285 1975** for Chemical Composition & Mechanical Properties.
 - ❖ Dedicated Punching Machine does most Fabrication Functions for Precision and Consistency.

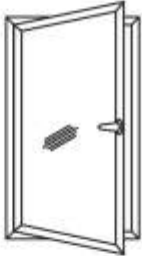
Casement Typologies

Sia Casement 4500C - External Opening with Fix



Sia Casement 4500C - Internal Opening with Fix

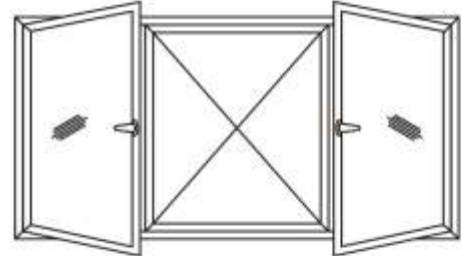
W17



W18



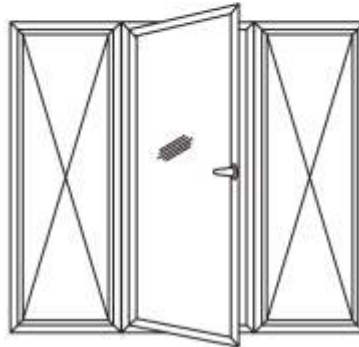
W19



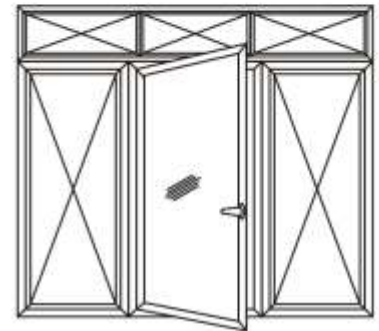
W20



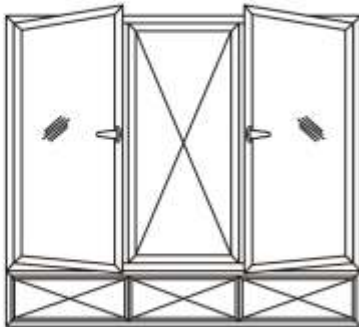
W21



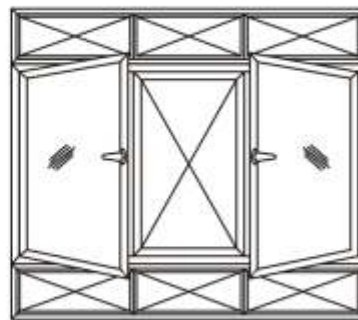
W22



W23

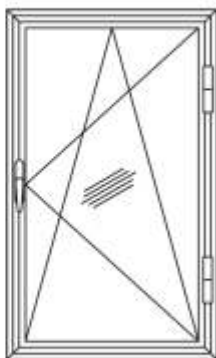


W24



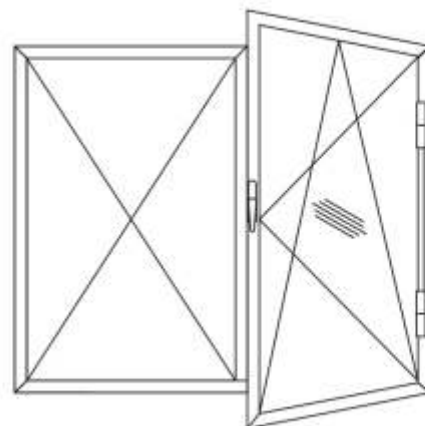
Tilt & Turn

T1

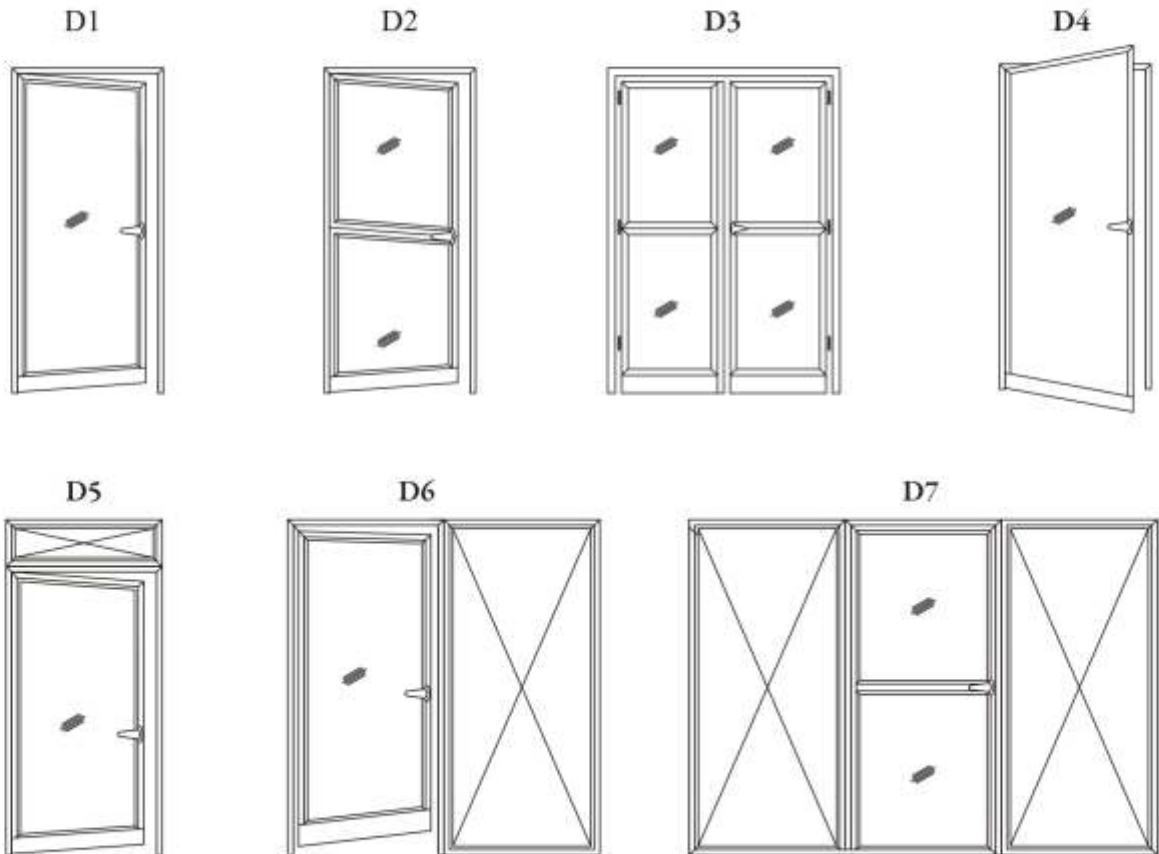


Tilt & Turn with Fix

T2



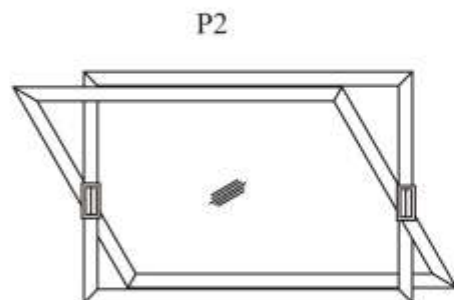
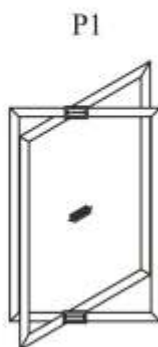
Sia Casement 4500C - DOOR & PARTITIONS



Sia Pivots

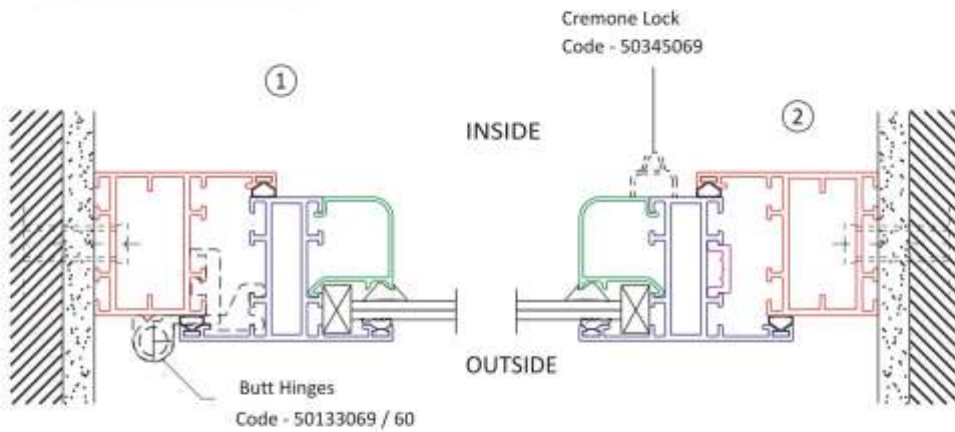
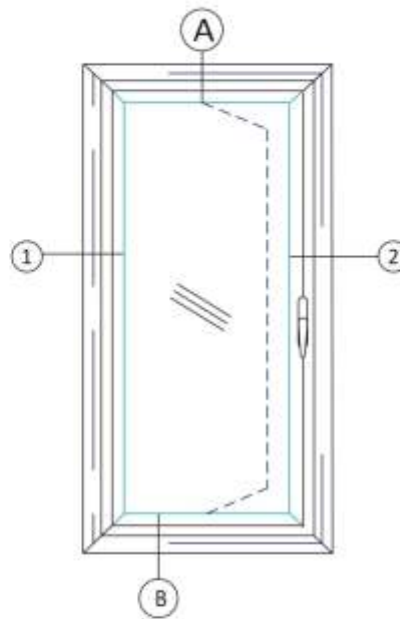
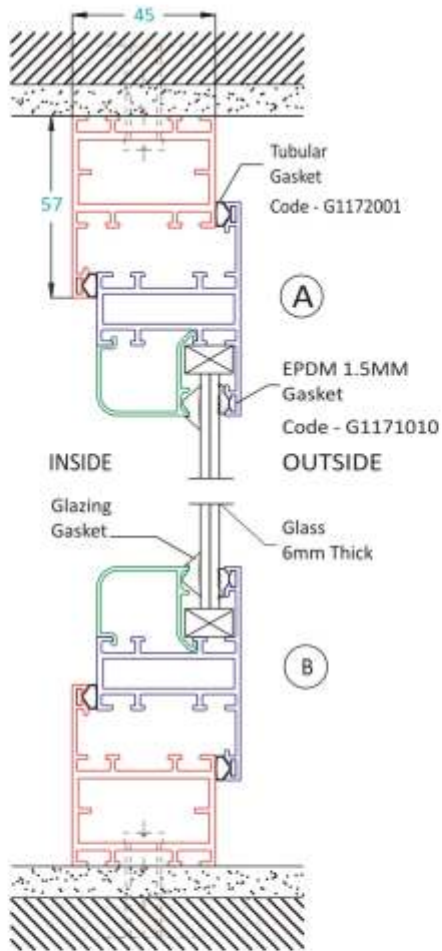
Center pivot (Vertical)

Center pivot (Horizontal)



W3

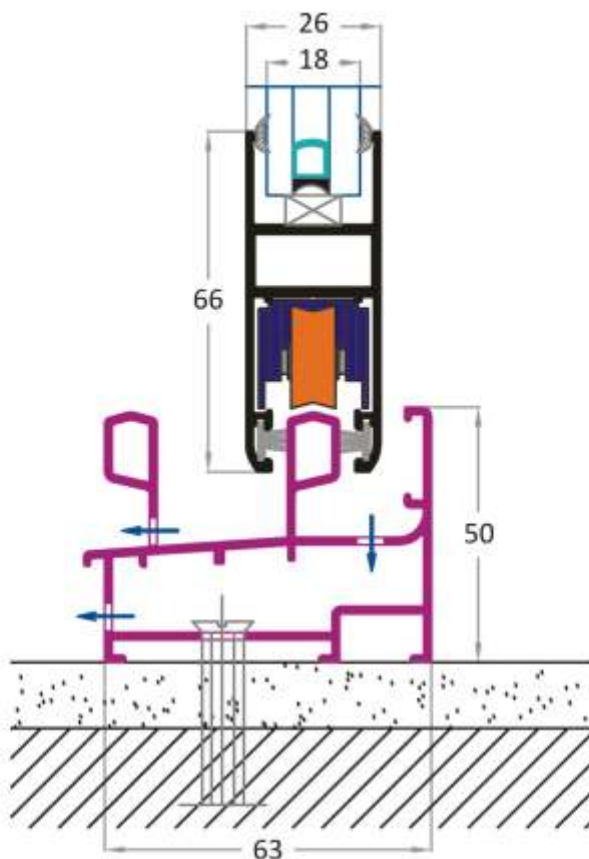
Single Shutter External Opening



Sia Casement 4500C: Single Shutter External Opening							
DWG.NO.	4500C	SCALE:	N.T.S	DATE :	01.08.09		DRWN BY:



Sia Slide 260S SLIDING WINDOWS



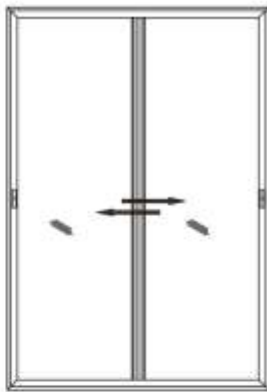
FEATURES

- ❖ Glazing from 4 mm to 18 mm.
 - ❖ Single Roller Capacity 30 Kgs. Shutter.
 - ❖ Adjustable Double Roller Capacity 65 Kgs. Shutter.
 - ❖ Wool Pile with Silent Fin for Dust Resistance & better Sound Reduction.
 - ❖ Smooth & effortless in movement.
 - ❖ Automatic & Manual Locks.
 - ❖ Provision for Insect Screen.
 - ❖ Reinforced Profiles available for Larger Openings and High Wind Load Conditions.
 - ❖ Available in Anodized, Powder Coated and Decoral Wood Finish.
-
- ❖ Ideal for Windows having Height from 1400mm to 1800mm.
 - ❖ **More than 20 Profiles developed to meet and offer a varied range and options.**
 - ❖ Aluminium Profiles produced by Leading Extruders in Alloy **6063 T6** Temper as per **IS-6477 1983** for Dimensional Tolerances and **IS-1285 1975** for Chemical Composition & Mechanical Properties.
 - ❖ Dedicated Punching Machine does most Fabrication Functions for Precision and Consistency.

Sliding Typologies

Sia Slide 260S - Sliding with Fix

S1



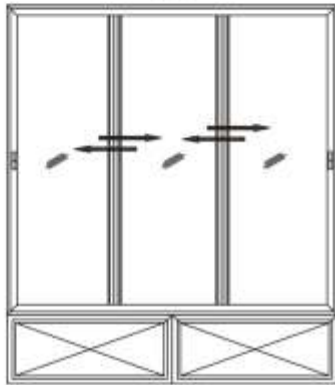
S2



S3



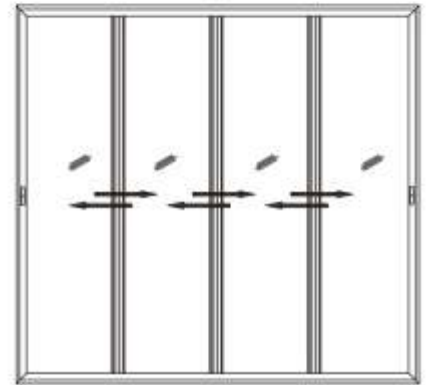
S4



S5

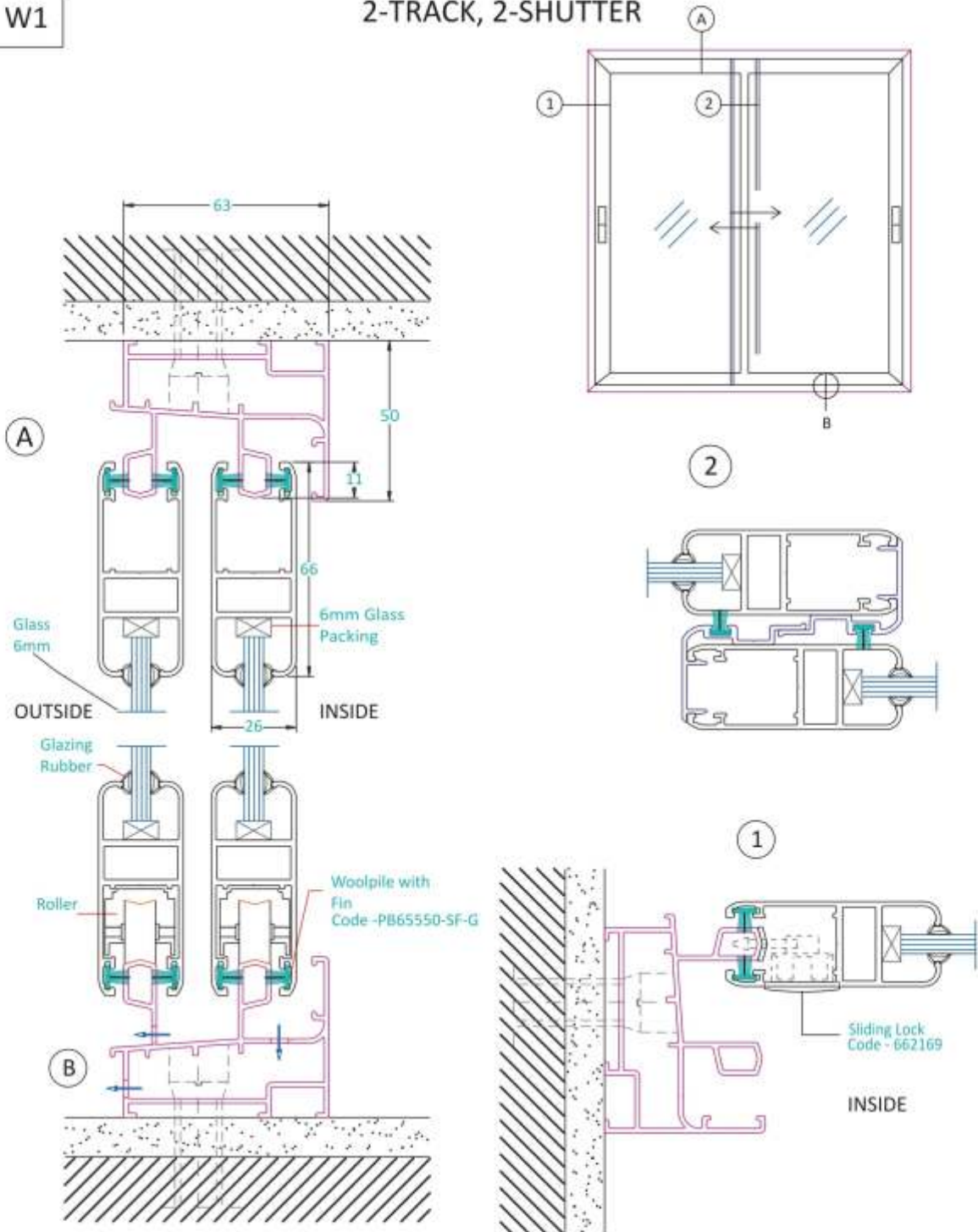


S6



W1

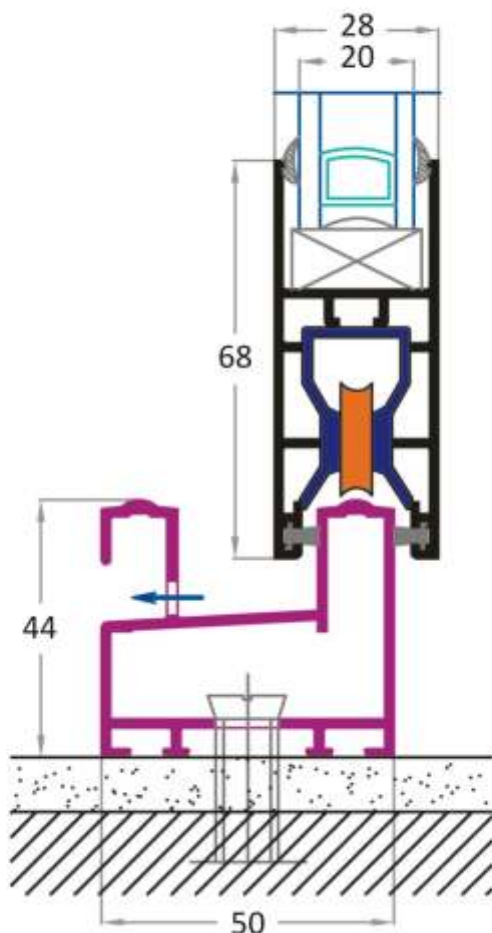
2-TRACK, 2-SHUTTER



Sia Slide 260S: 2-TRACK, 2-SHUTTER							
DWG.NO	260S-2T2S	t18.077 SCALE	t18.077 N.T.S	DATE :	01.08.09	DRWN BY:	



Sia Slide 280S SLIDING DOOR & WINDOWS



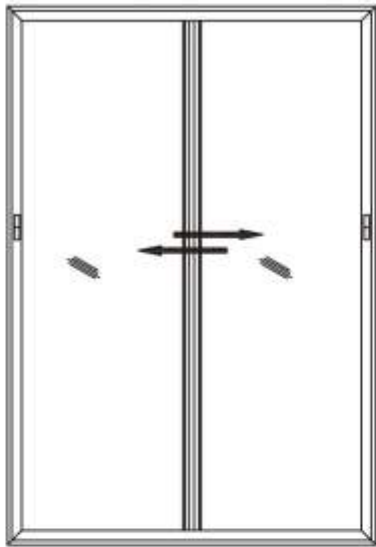
FEATURES

- ❖ Glazing from 4 mm to 20 mm.
 - ❖ Single Roller Capacity 30 Kgs. Shutter.
 - ❖ Double Roller Capacity 90 Kgs. Shutter.
 - ❖ Wool Pile with Silent Fin for Dust Resistance & better Sound Reduction.
 - ❖ Automatic & Manual Locks.
 - ❖ Provision for Insect Screen.
 - ❖ Reinforced Profiles available for Larger Openings and High Wind Load Conditions.
 - ❖ Available in Anodized, Powder Coated and Decoral Wood Finish.
-
- ❖ Ideal for Windows having Height from 1600mm to 2100mm.
 - ❖ Aluminium Profiles produced by Leading Extruders in Alloy **6063 T6** Temper as per **IS-6477 1983** for Dimensional Tolerances and **IS-1285 1975** for Chemical Composition & Mechanical Properties.
 - ❖ Dedicated Punching Machine does most Fabrication Functions for Precision and Consistency.

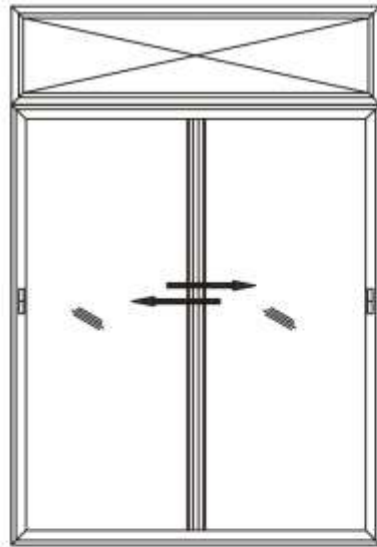
Sliding Typologies

Sia Slide 280S - Sliding with Fix

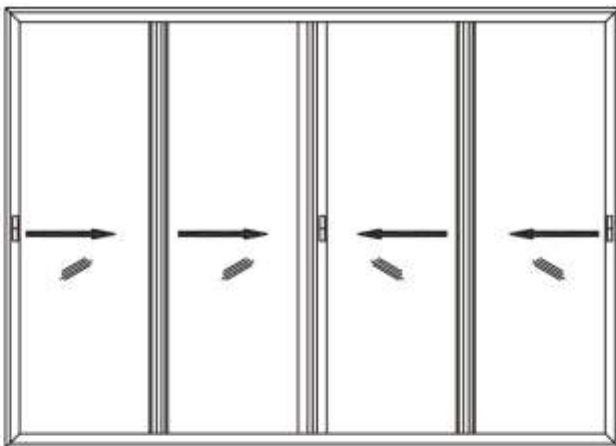
S1



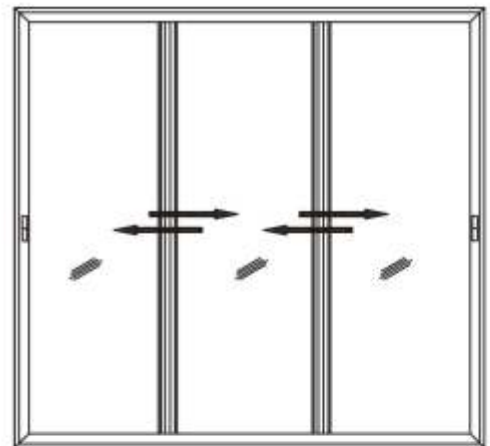
S2



S3

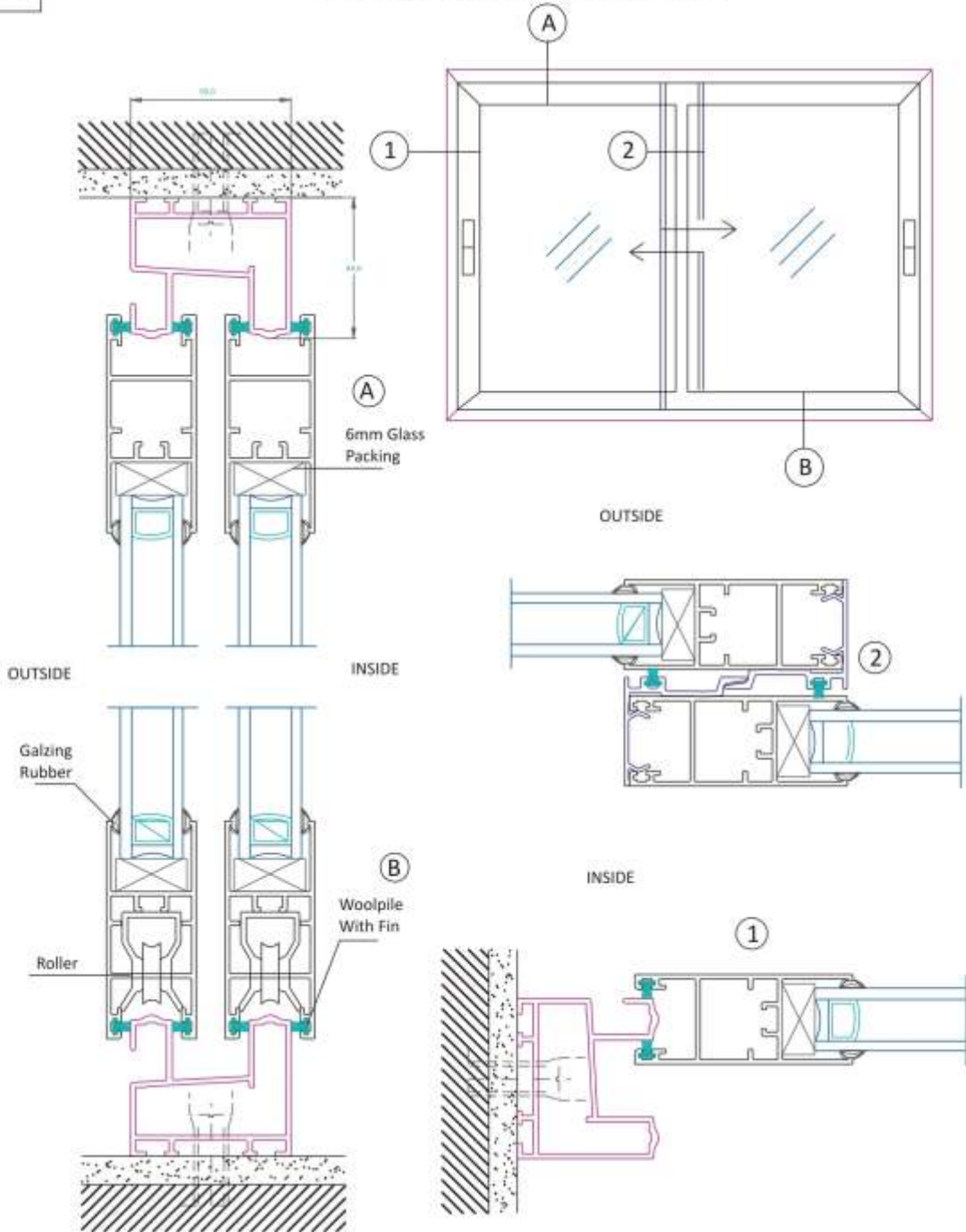


S4



W

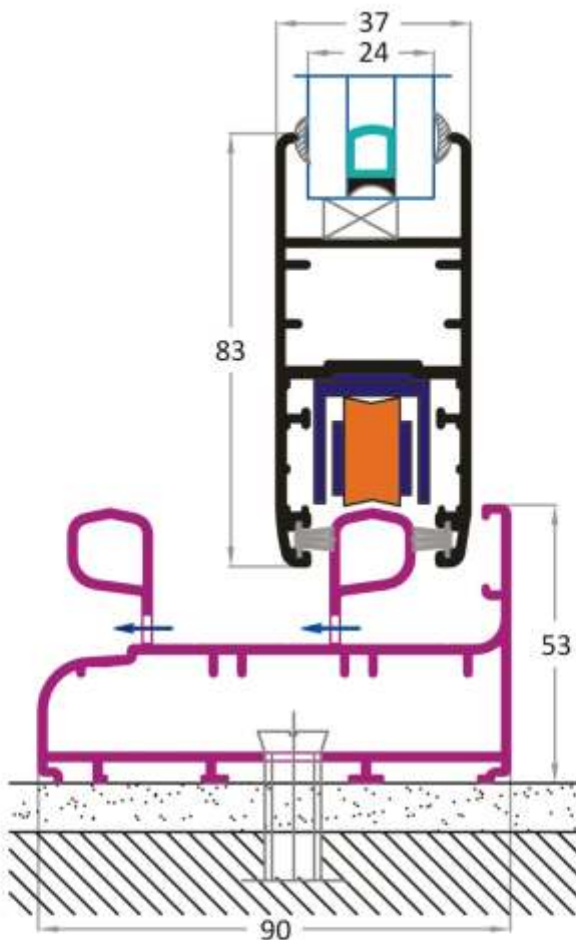
2-TRACK, 2-SHUTTER SLIDING WINDOW



Sia Slide 280S: 2-TRACK, 2-SHUTTER							
DWG.NO	280S-2T2S	SCALE	N.T.S	DATE :	01.08.09		DRWN BY:



Sia Slide 370S SLIDING DOORS



FEATURES

- ❖ Glazing from 5 mm to 24 mm.
- ❖ Single Roller Capacity 75 Kgs. Shutter.
- ❖ Double Roller Capacity 100 Kgs. 140 Kgs. & 180 Kgs. Shutter.
- ❖ Wool Pile with Silent Fin for Dust Resistance & better Sound Reduction.
- ❖ Smooth & effortless in movement.
- ❖ Automatic & Manual & Multipoint Locking System.
- ❖ Provision for Insect Screen.
- ❖ Available in Anodized, Powder Coated and Decoral Wood Finish.

Designed for Large Openings upto 2400mm Height.

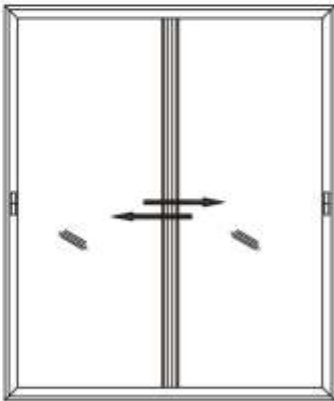
Reinforced Profiles available which is strong enough upto 2800mm Height.

- ❖ Aluminium Profiles produced by Leading Extruders in Alloy **6063 T6** Temper as per **IS-6477 1983** for Dimensional Tolerances and **IS-1285 1975** for Chemical Composition & Mechanical Properties.
- ❖ **More than 20 Profiles developed to meet and offer a varied range and options.**
- ❖ Dedicated Punching Machine does most Fabrication Functions for Precision and Consistency.

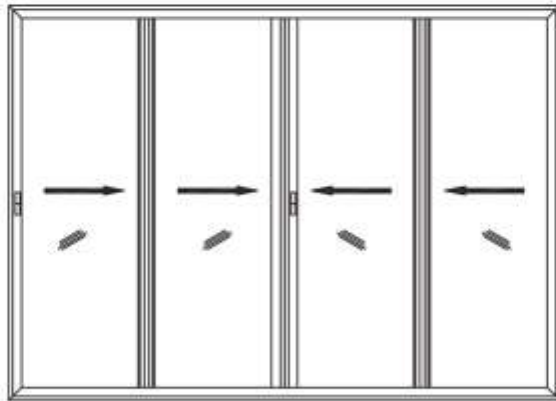
Sliding Typologies

Sia Slide 370S - Sliding with Fix

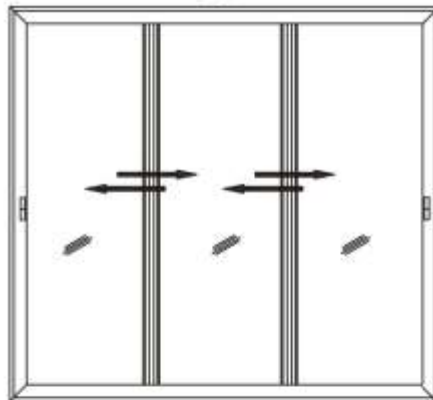
S1



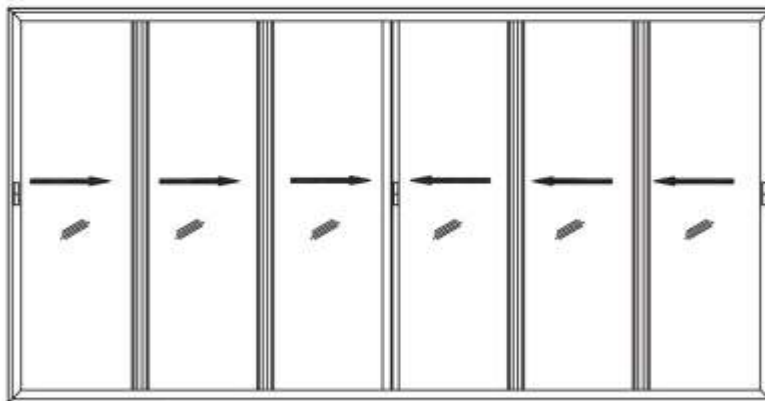
S2



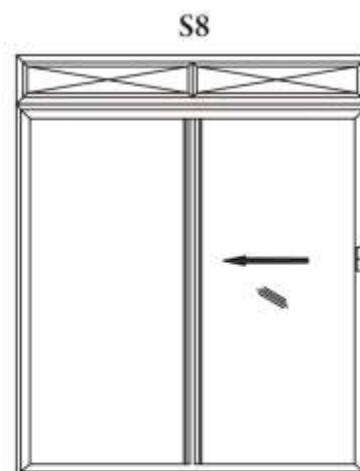
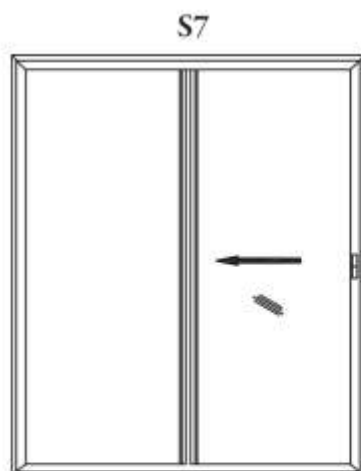
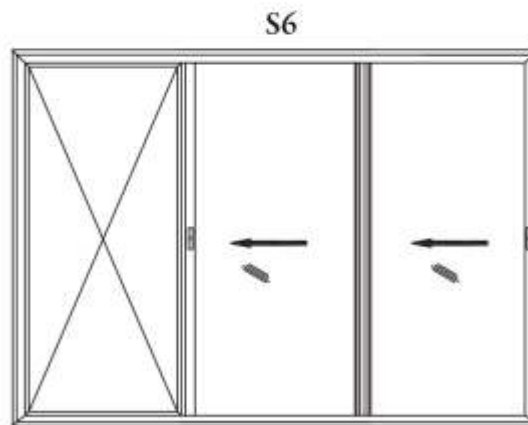
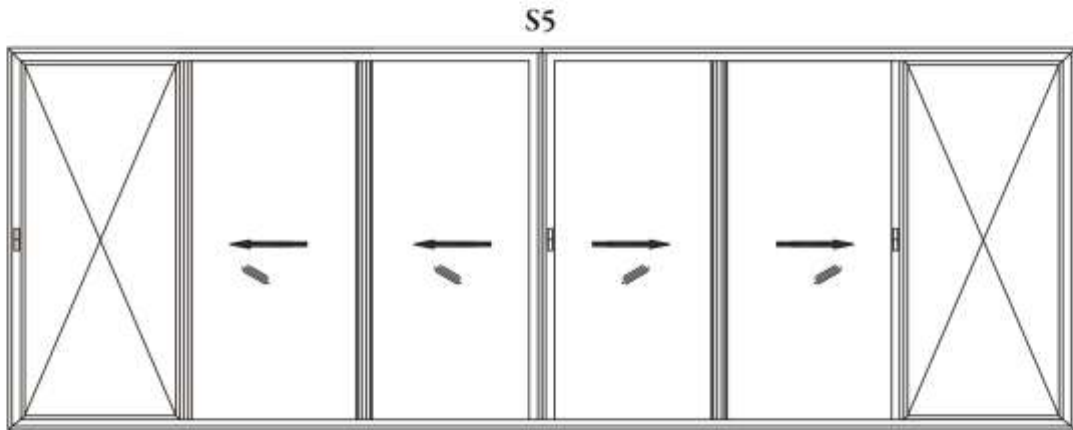
S3



S4

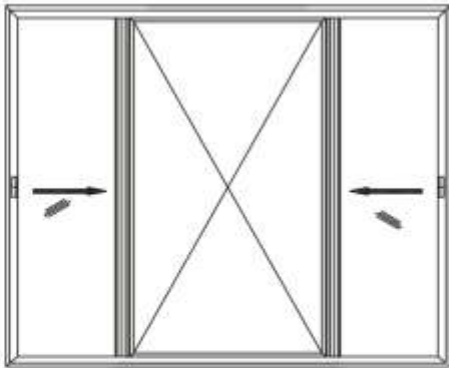


Sia Slide 370S - Sliding with Fix

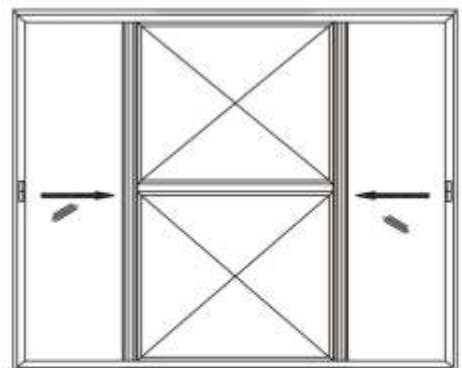


Sia Slide 370S - Sliding with Fix

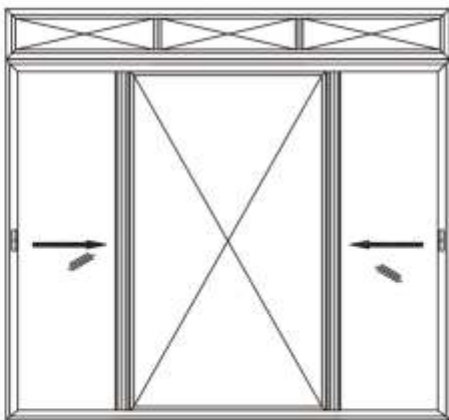
S9



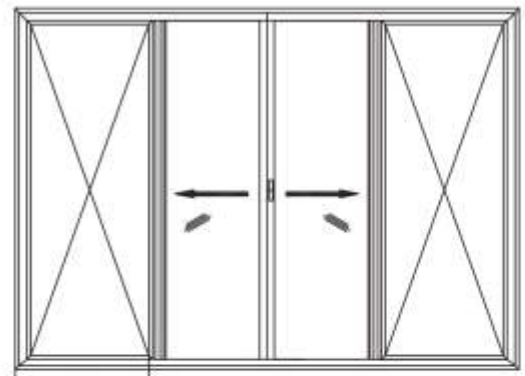
S10



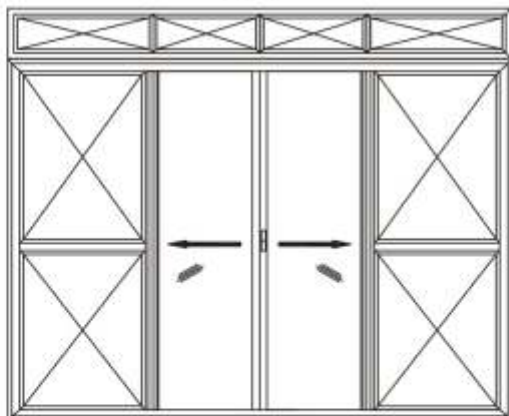
S11



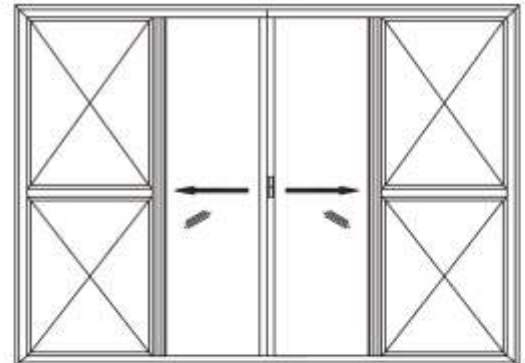
S12



S13

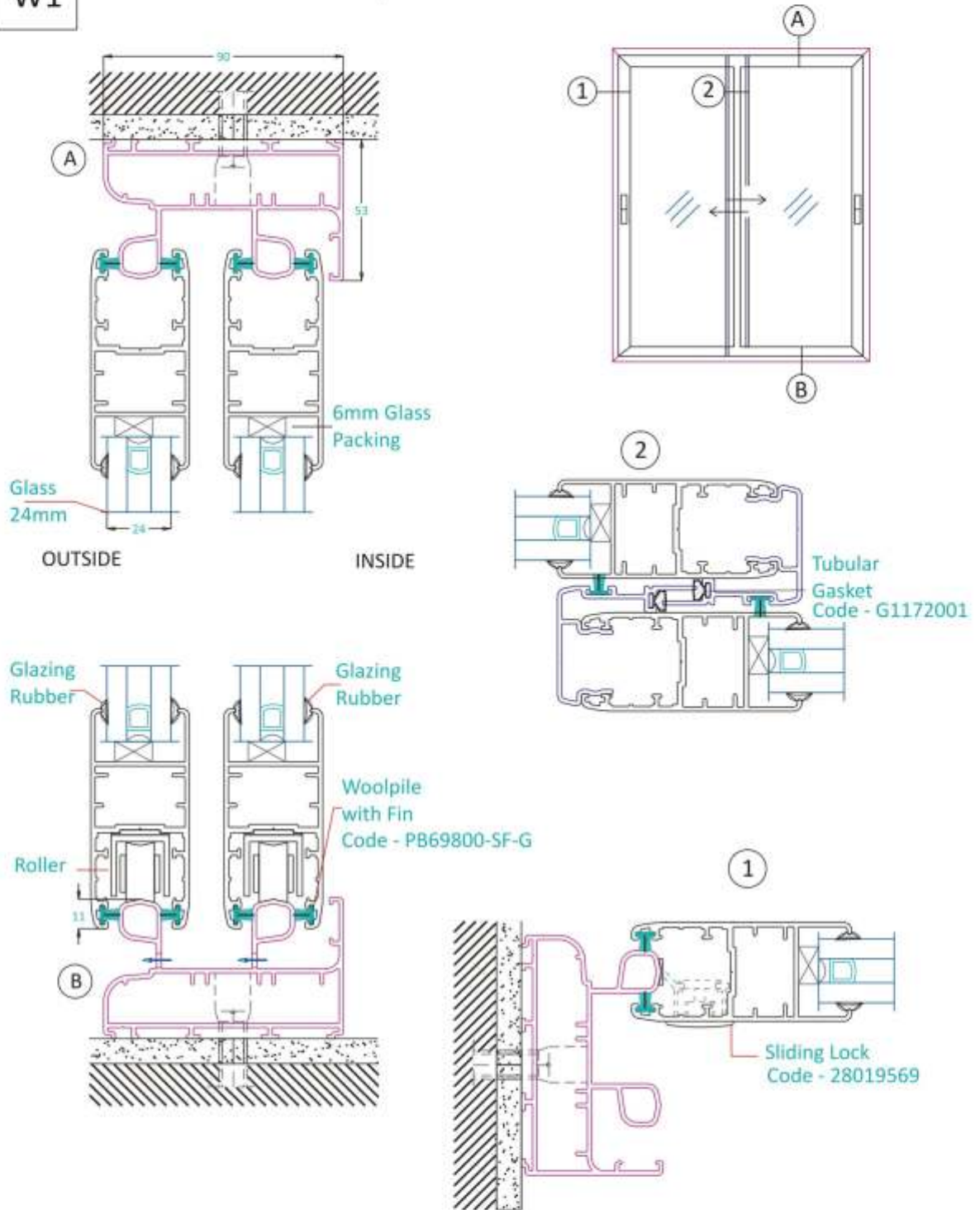


S14



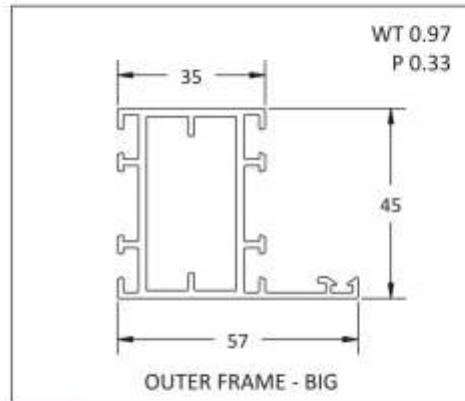
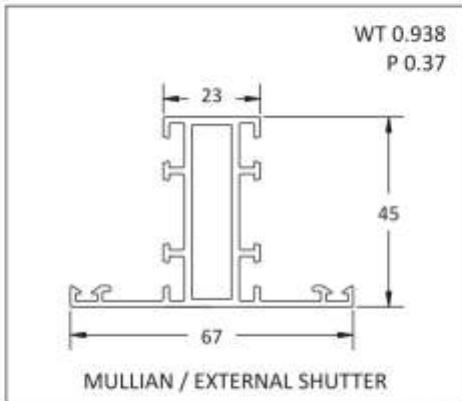
W1

2-TRACK,2-SHUTTER SLIDING WINDOW

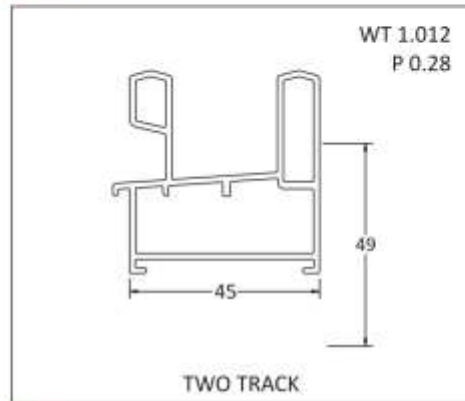
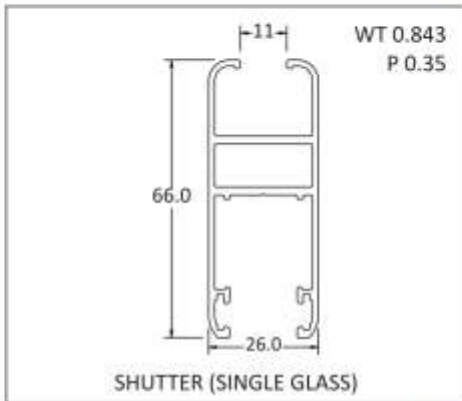


Sia Slide 370S: 2-TRACK,2-SHUTTER SLIDING WINDOW							
DWG.NO.	370S 2T2S	SCALE	N.T.S	DATE	01.08.09	DRWN BY:	

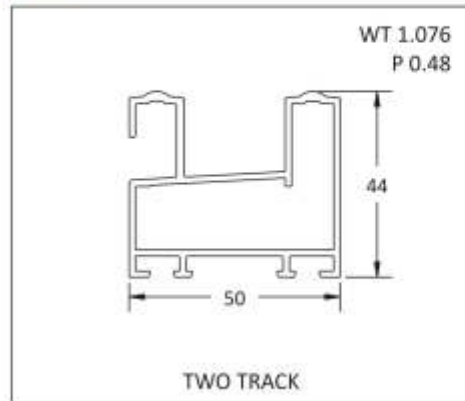
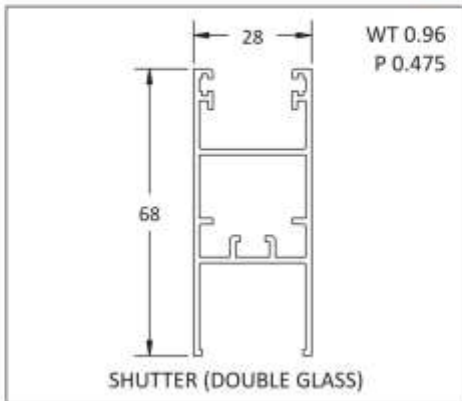
Sia Casement 4500C Series Window - Profiles



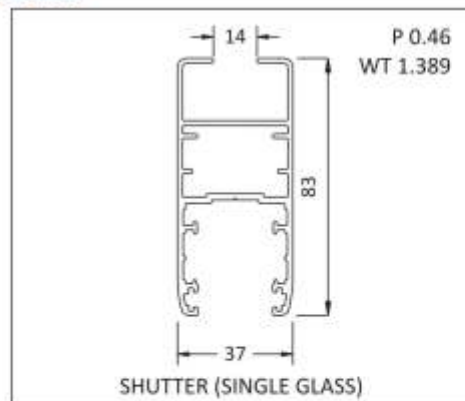
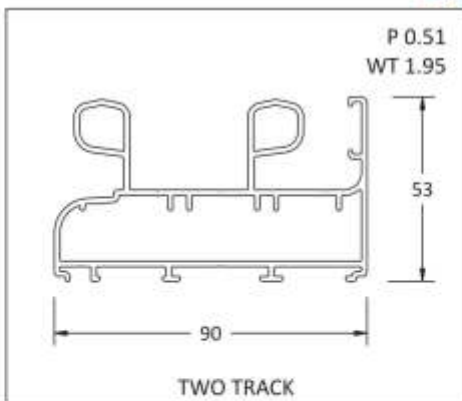
Sia Slide 260S Series



Sia Slide 280S Series



Sia Slide 370S Series



ROC Certificate

भारत सरकार-कॉर्पोरेट कार्य मंत्रालय कम्पनी रजिस्ट्रार कार्यालय, महाराष्ट्र, मुंबई

नाम परिवर्तन के पश्चात नया निगमन प्रमाण-पत्र

कॉर्पोरेट पहचान संख्या : U28110MH2004PTC147743

मैसर्स ALUTEC SYSTEMS (INDIA) PRIVATE LIMITED

के मामले में, में एतद्वारा सशर्तित करता हूँ कि मैसर्स
ALUTEC SYSTEMS (INDIA) PRIVATE LIMITED

को मूल रूप में दिनांक अक्टूबर नववाँ दो हजार चार को कम्पनी अधिनियम, 1956 (1956 का 1) के अर्थात् मैसर्स
SIADOW SYSTEMS PRIVATE LIMITED

के रूप में निर्गमित की गई थी, ने कम्पनी अधिनियम, 1956 की धारा 21 की शर्तों के अनुसार विहित आवश्यक विधिकरण पारित करके तथा
लिखित रूप में यह सुनिश्चित करके की उसे भारत का अनुयायन, कम्पनी अधिनियम, 1956 की धारा 21 के साथ पठित, भारत सरकार, कम्पनी कार्य
विभाग, नई दिल्ली की अधिसूचना सं शा को नि 507 (अ) दिनांक 24.08.1985 एन आर एन B29762028 दिनांक 21/01/2012 के द्वारा
प्राप्त हो गया है, एक कम्पनी का नाम आज परिवर्तित रूप में मैसर्स
SIADOW SYSTEMS PRIVATE LIMITED

हो गया है और यह प्रमाण-पत्र, कम्पनी अधिनियम की धारा 23(1) के अनुसारग में जारी किया जाता है।

यह प्रमाण-पत्र मुद्रा में आज दिनांक दुइकोस जनवरी दो हजार बारह को जारी किया जाया है।

GOVERNMENT OF INDIA - MINISTRY OF CORPORATE AFFAIRS
Registrar of Companies, Maharashtra, Mumbai

Fresh Certificate of Incorporation Consequent upon Change of Name

Corporate Identity Number : U28110MH2004PTC147743

In the matter of M/s ALUTEC SYSTEMS (INDIA) PRIVATE LIMITED

I hereby certify that ALUTEC SYSTEMS (INDIA) PRIVATE LIMITED which was originally incorporated on Twenty Eighth day of July Two Thousand Four under the Companies Act, 1956 (No. 1 of 1956) as SIADOW SYSTEMS PRIVATE LIMITED having duly passed the necessary resolution in terms of Section 21 of the Companies Act, 1956 and the approval of the Central Government signified in writing having been accorded thereto under Section 21 of the Companies Act, 1956, read with Government of India, Department of Company Affairs, New Delhi, Notification No. G.S.R 507 (E) dated 24/08/1985 vide SRN B29762028 dated 21/01/2012 the name of the said company is this day changed to SIADOW SYSTEMS PRIVATE LIMITED and this Certificate is issued pursuant to Section 23(1) of the said Act.

Given at Mumbai this Twenty First day of January Two Thousand Twelve.



Registrar of Companies, Maharashtra, Mumbai

कम्पनी रजिस्ट्रार, महाराष्ट्र, मुंबई

*Note: The corresponding form has been approved by V ELANGOVAN, Deputy Registrar of Companies and this certificate has been digitally signed by the Registrar through a system generated digital signature under rule 5(2) of the Companies (Electronic Filing and Authentication of Documents) Rules, 2008.

The digitally signed certificate can be verified at the Ministry website (www.mca.gov.in).

कम्पनी रजिस्ट्रार के कार्यालय: अधिसूचना में उपरोक्त पताकार का पता:

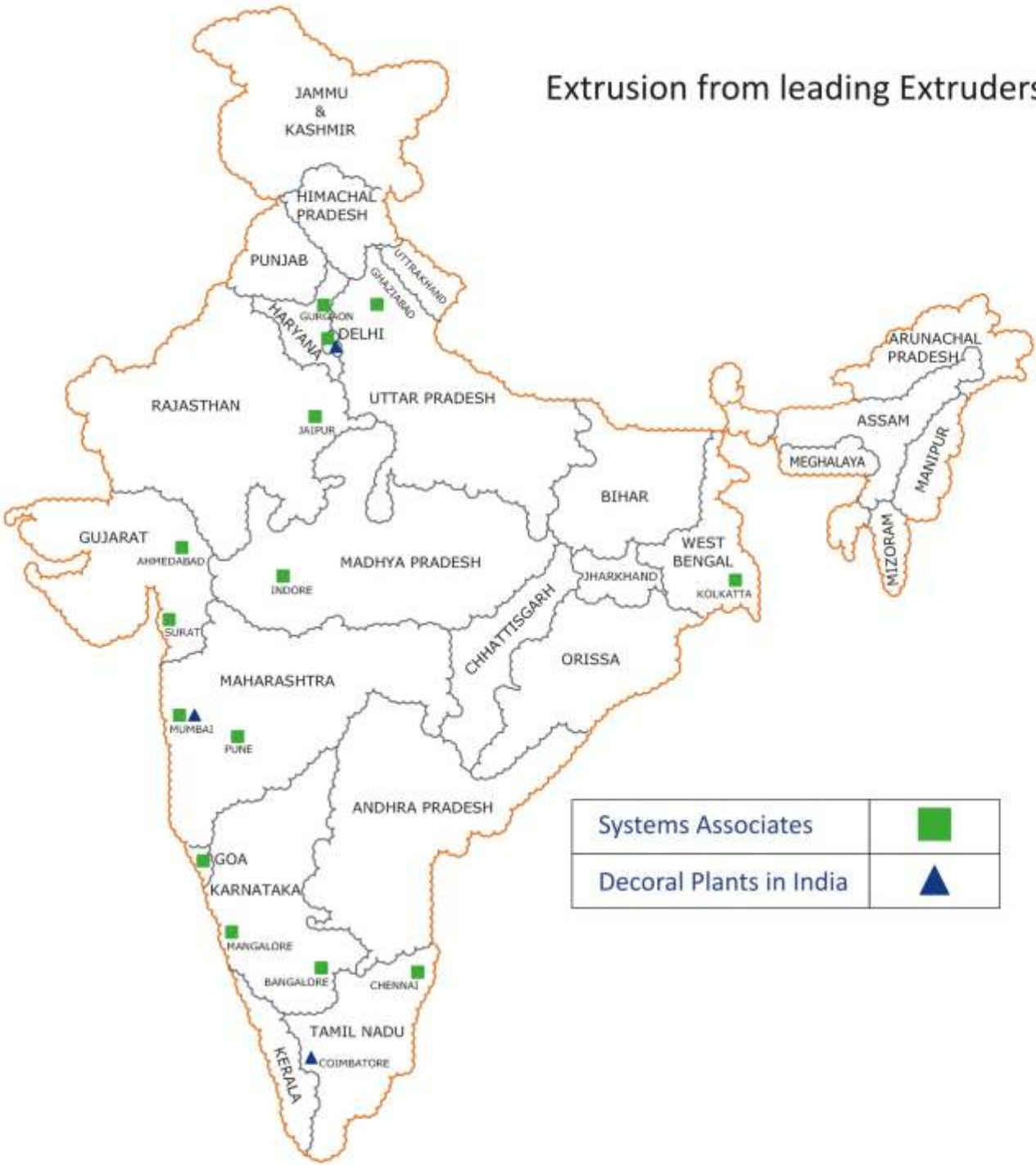
Mailing Address as per record available in Registrar of Companies office:

SIADOW SYSTEMS PRIVATE LIMITED
SHOP NO. 44, MAHAVIR VARSHA CHS LTD., PLOT NO. 8,9,10, SECTOR -6, GHANSOLL,
NAVI MUMBAI - 406701,
Maharashtra, INDIA



SIADOW Systems Pvt. Ltd. Network in India

Extrusion from leading Extruders



Our Projects



Our Projects



Olive Beach



Estancia

DISCLAIMER

THE QUALITY, PERFORMANCE AND WARRANTIES OF THE FINAL WINDOW & DOOR RESTS ON THE FABRICATOR PRODUCING AND INSTALLING THE WINDOW. ARCHITECTS, BUILDERS, PROJECT CONSULTANTS AND INDIVIDUAL CUSTOMERS ARE REQUIRED TO VERIFY THE FABRICATOR AT THEIR LEVEL DETERMINING THE CAPABILITY OF THE FABRICATOR. Siadow Systems will not be responsible for any kind of defect in Windows & Doors produced by Fabricators using the name of Siadow Systems.



Siadow Systems Pvt. Ltd. (Formerly Alutec Systems India Pvt. Ltd.)

44, Mahavir Varsha, Sector 6, Ghansoli, Navi Mumbai - 400 701, Maharashtra, INDIA.

Tel: +91 22 2760 5877 | E-mail: info@siadow.com | www.siadow.com