

India



Window and door hardware

AV SAVIO

THE LEADING HARDWARE COMPANY FOR ALUMINIUM WINDOW AND DOOR ACCESSORIES.



Headquarters in Chiusa San Michele, Torino, Italy

Formed more than a century ago in 1889, Savio has risen to a position of leadership in the production of hardware for aluminium doors and windows in Europe and throughout the world.

Today, the Savio trademark is a synonym for absolute quality and all-round reliability in more than fifty countries in various parts of the world. This result is assured by the most prestigious quality certifications and the constant appreciation of customers, from any point of view.

WORLDWIDE DISTRIBUTION



Direct sales network: 87 sales personnel.

Official distributors in more than 60 countries worldwide.

More than 600 distribution centres worldwide

MORE THAN 5,600 REFERENCES IN CATALOGUE

Products for aluminum door and window frames.

More than 5,600 references in catalogue.

Main products: hinges, tilt and turn mechanisms, handles,
panic-device systems.



THE MOST PRESTIGIOUS QUALITY CERTIFICATES ALL OVER THE WORLD

Product certifications

ZERTIFIZIERT CERTIFICATO	ZERTIFIZIERT CERTIFICATO	ZERTIFIZIERT CERTIFICATO	ZERTIFIZIERT CERTIFICATO	ZERTIFIZIERT CERTIFICATO	ZERTIFIZIERT CERTIFICATO
QM 328 - EN 13126-8 Nr. 228 6016161 RIBANTA 4	QM 328 - EN 13126-8 Nr. 228 6016161 RIBANTATRE 150	QM 328 - EN 13126-8 Nr. 228 6016161 RIBANTA 5	QM 328 - EN 13126-8 Nr. 228 6016161 RIBANTA INCANTO	QM 328 - EN 13126-8 Nr. 228 6016161 RIBANTA INCANTO+	QM 343 EN 1935:2002 EN 1191 Nr. 229 6016161 MECHANICA HINGES
RIBANTA 5 - RIBANTA INCANTO+			MECHANICA HINGES		
quality in construction			TOP 99		

SAVIO's certifications

TÜVRheinland®
CERT
ISO 9001
ISO 14001

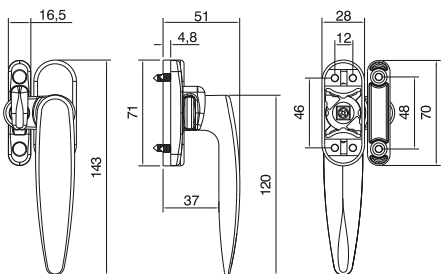
Single point: TAVEL PLUS

RANGE OF CLOSING HANDLES

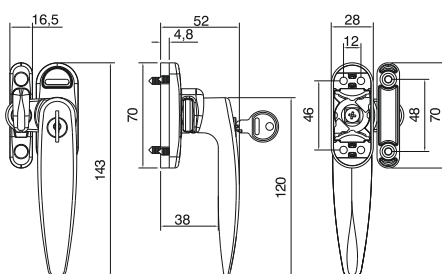
- Renewed look: 2 different knob models
- Also available in the version with key
- Smooth operation
- Excellent sturdiness
- Solid fixing
- For inward and outward openings



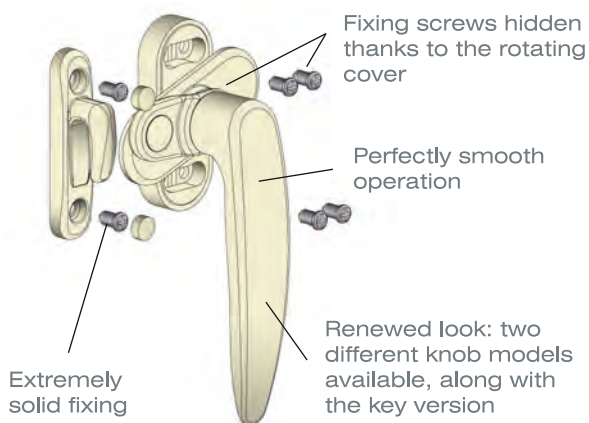
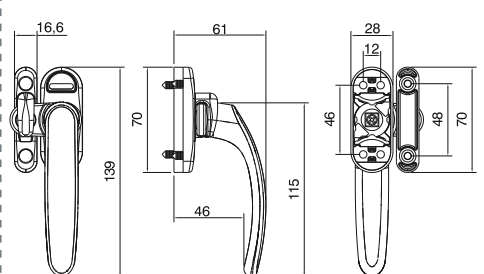
812.1



812.751

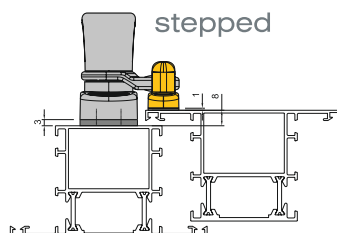
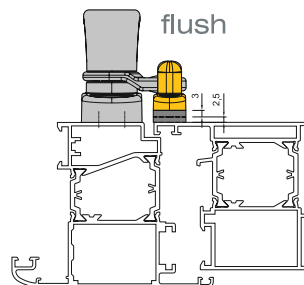


813



... in addition:

- Reversible
- Equipped with shims for different rebate heights
- Excellent sturdiness



OUTWARD OPENING

Installation

The new range of closing handles can be installed on different applications, as the handles are preset for use on both flush and stepped profiles. The standard version contains shims for stepped profiles up to 8 mm; a kit of shims is also available, supplied separately, for thicker stepped profiles.

Window handles: TURANDOT



879



879.2



879.751



879.3

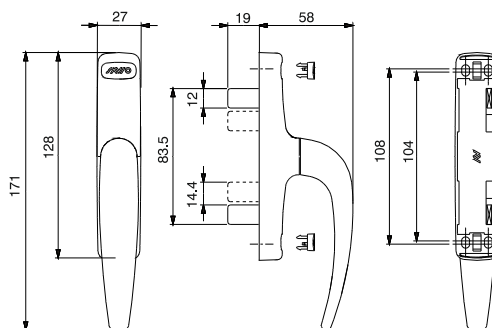


879.20

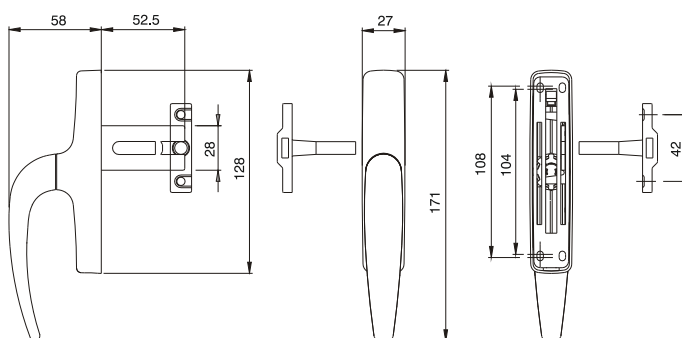
TURANDOT FOR WINDOWS AND SHUTTERS

- Fastening system without visible screws: is via a rugged steel counter-plate, previously fixed on the profile, thus allowing quick and secure assembly also at the job site.
- Rounded shape: without front caps, it can tone in with all rounded profiles and MANON handles.
- Dimensions suitable for all profiles: the compact size of the body means that it can be installed on all shutter profiles.
- Full range: the version with flat handle is designed for installation in narrow space between window and shutter or for applications with insect screen. There is also a version with lock for improved security of the window/shutter.

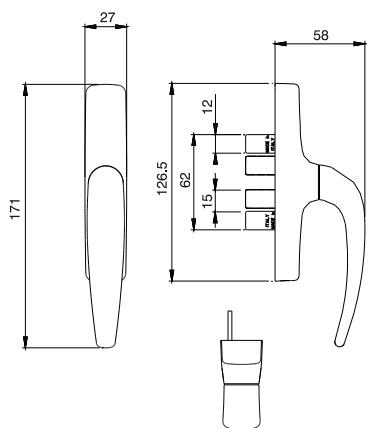
879



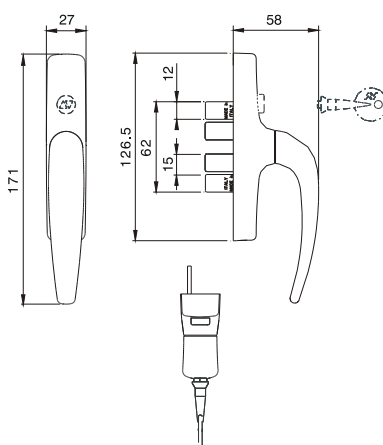
879.20



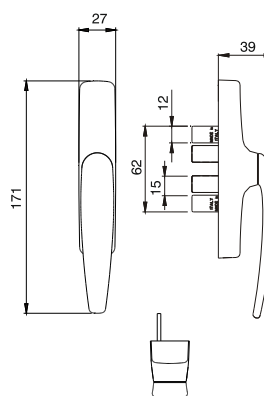
879.2



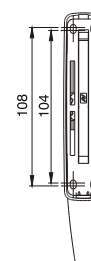
879.751



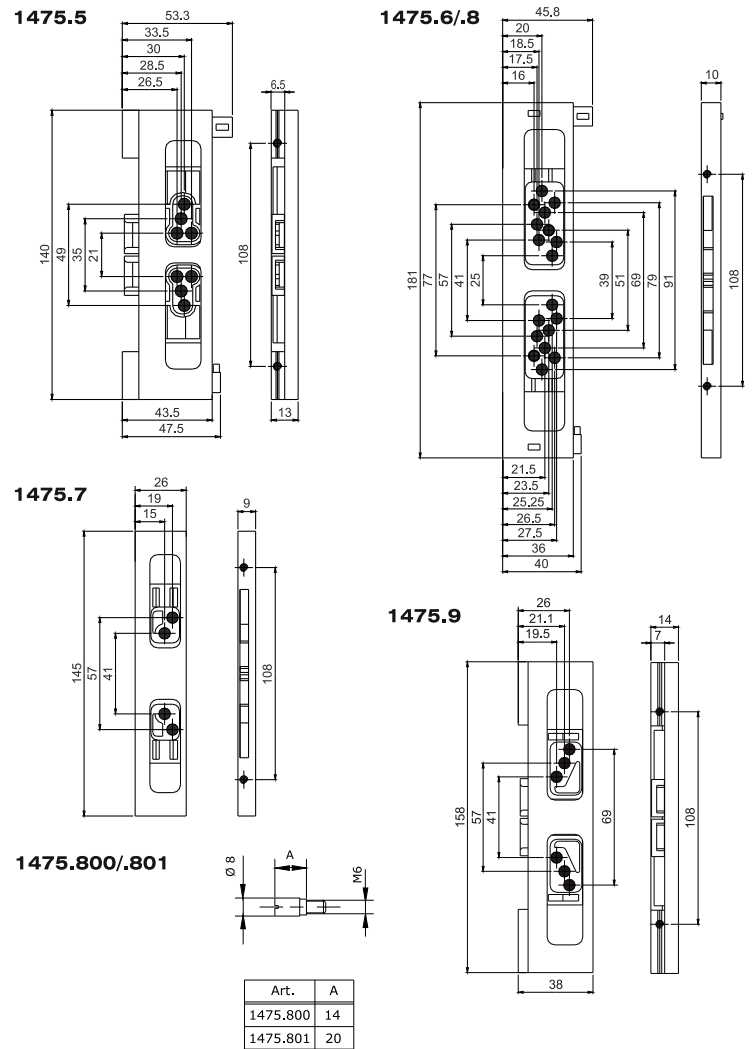
879.3



879.2/.3/.751



Window handles: TURANDOT + internal mechanisms



Narrow body for application on all shutter profiles.

15 mm stroke for improved gripping in closing.

Metric screws for secure fastening to internal mechanisms 1475.5/6/7/8/9.

Surface with sloping tooth to ensure exact coupling between the handle and the aluminium profile, thanks to the progressive tightening of the screw.

Soft and exact 90° snap-in positioning.

Galvanized steel gear and racks.

Standard mounting centre distances of 104 and 108 mm.

Steel counter-plate for greater ruggedness and easier handling at the job site.

Rear fastening for application on windows.

A COMPLETE RANGE FOR ALL APPLICATION REQUIREMENTS

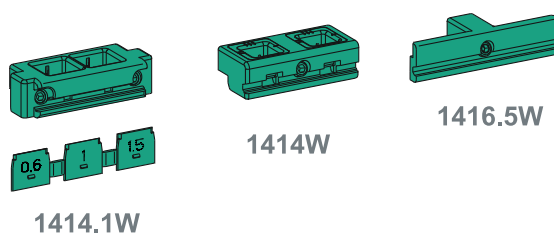
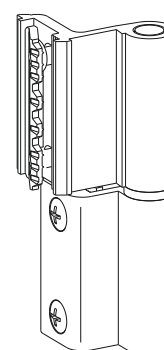
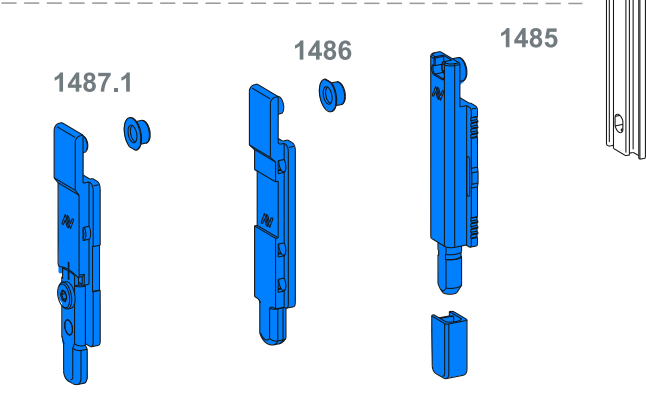
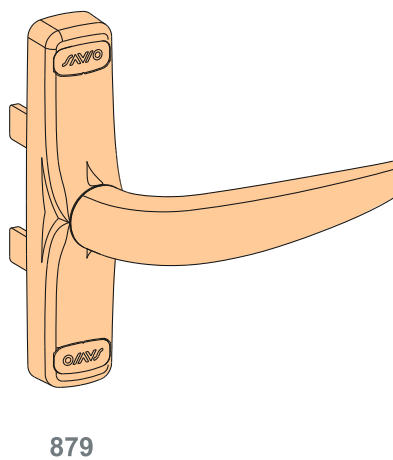
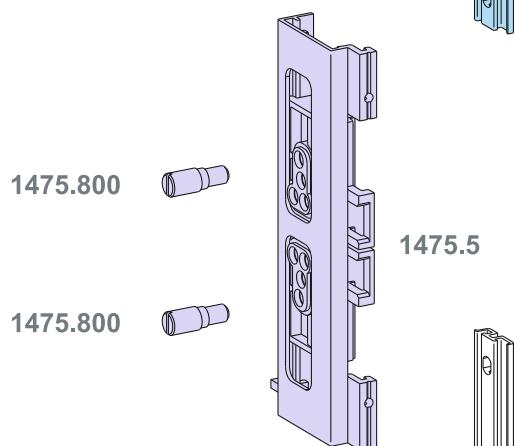
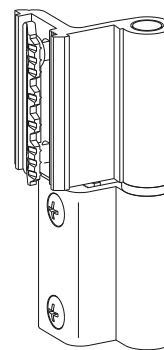
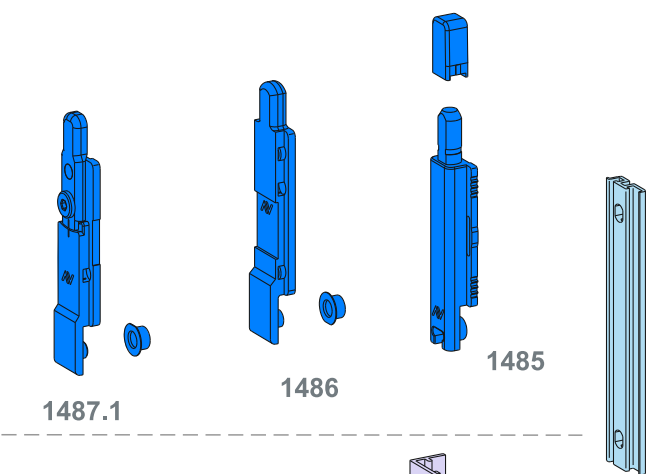
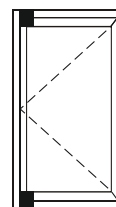
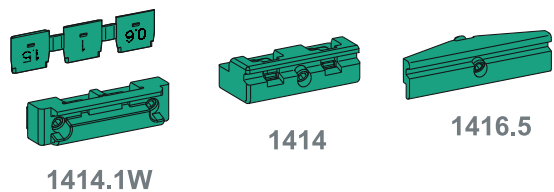


Version with safety lock for improved security.

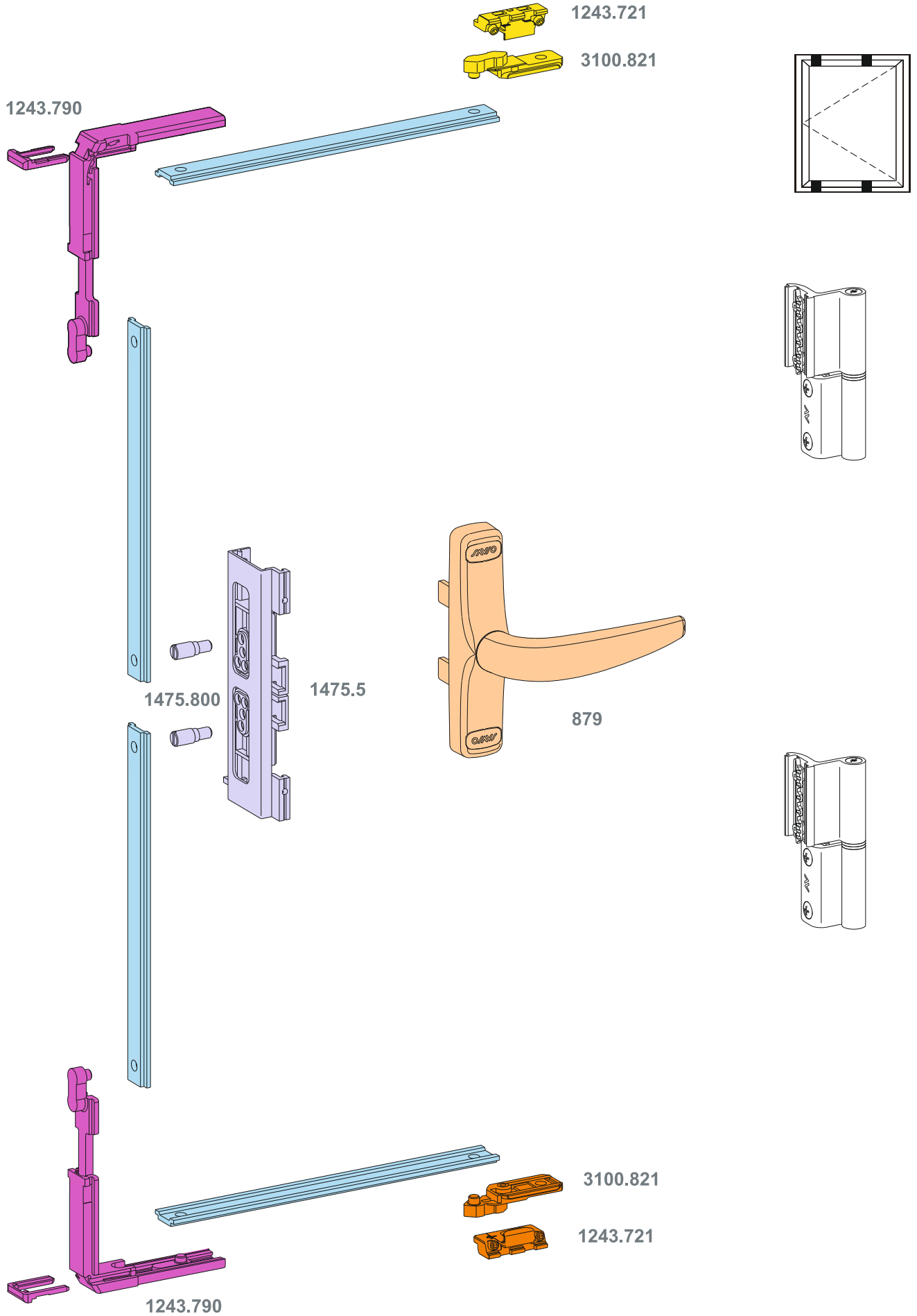
Version with flat handle to allow installations even in narrow space between window and shutter.



External opening: 2 point locking solution



External opening: multi point locking solution



Window hinges: MORSA+, MORSADUE+



QUICK CLAMPING HINGES WITH PREASSEMBLED COUNTERPLATES

- Sturdy
- Quick to install
- Strong
- New fastening system: counterplate indentation in relief anchors to the internal surface of the profile avoiding the vertical sliding of the hinge
- Wide range: it can be used on all main profiles and in all the typologies of windows

Countersunk shape of the head increases the surface of contact on the hinge

The slotted mounting holes allow self-adjustment of the counterplate to well adapt to normal extrusion tolerances, maximizing the grip on the profile

Pre-assembled stainless steel counterplate, thickness 2,3 mm is provided with a boxribbed contour which increases the grip on the profile by 30 per cent, and then, with a special indentation bears on the profile surface blocking the position of the hinge

Centering rings guarantee secure fastening inside the hinge wing

Stainless steel pin, Ø 7 mm, eliminates all tolerance and increases the sturdiness of the hinge

WEIGHT CAPACITIES

1115 series:
2 hinges, 60 Kg
3 hinges, 70 Kg

1121 series:
2 hinges, 80 Kg
3 hinges, 90 Kg

1122 series:
2 hinges, 90 Kg
3 hinges, 100 Kg

Detail of the renewed counterplate with the new indented counterplate (patented)

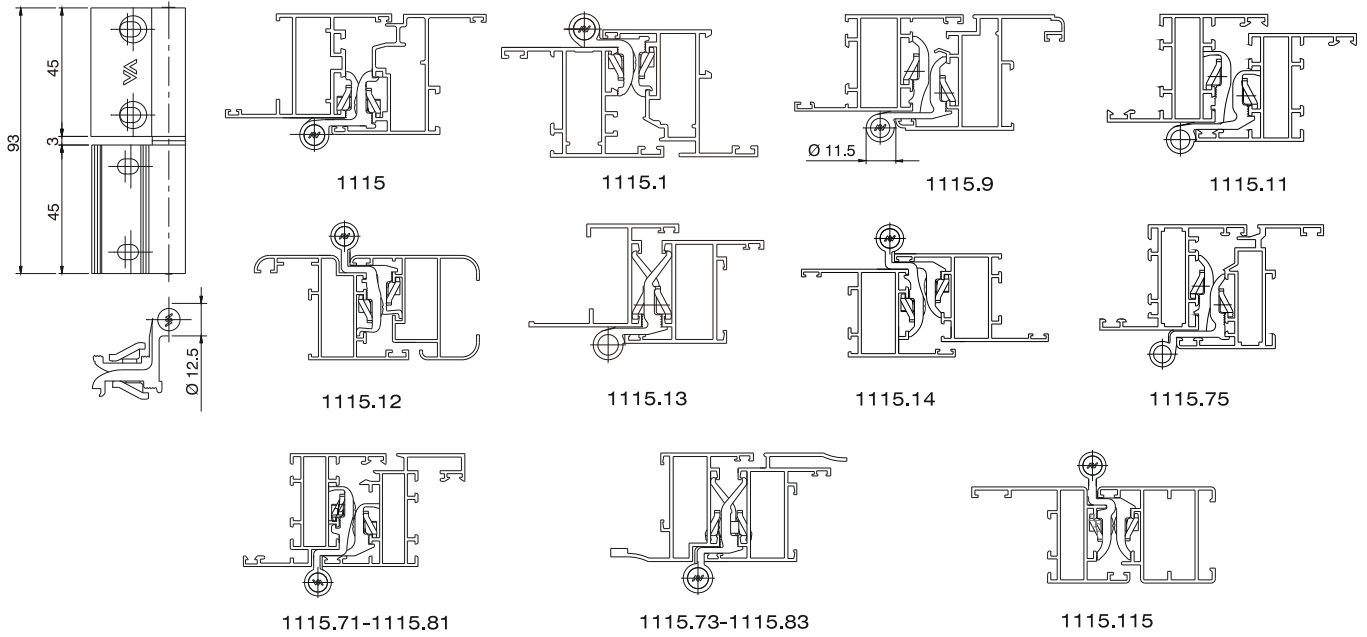


TO KEEP IMITATIONS BACK... MORSADUE PULLS OUT ITS TEETH!

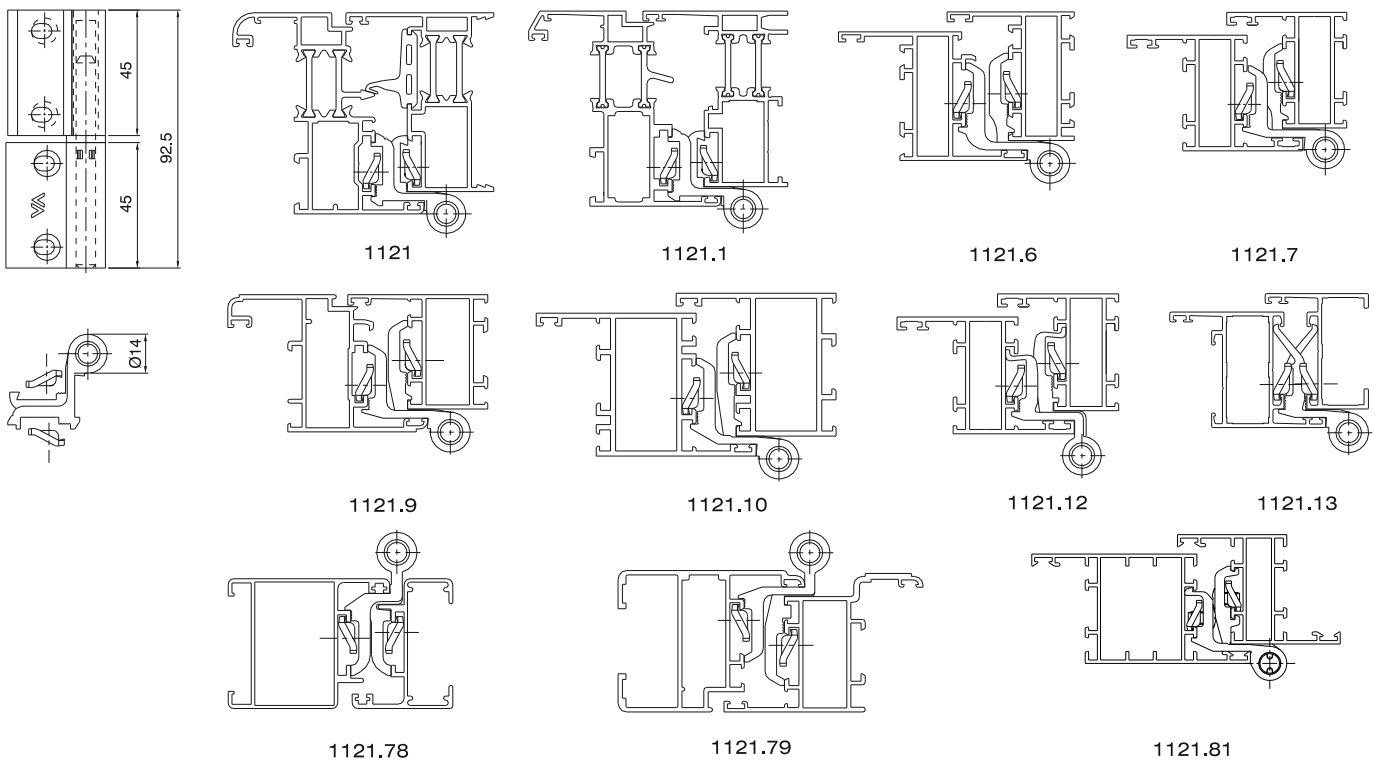
Thanks to its exclusive anchoring indentation, no other hinge can guarantee the same sliding tightness

Window hinges: MORSA+, MORSADUE+

Range of hinges series 1115

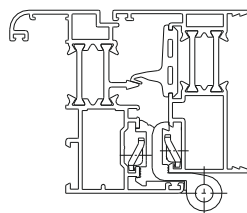
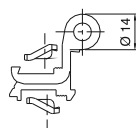
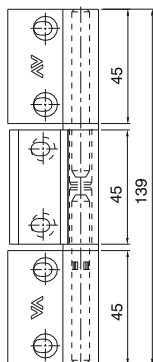


Range of hinges series 1121

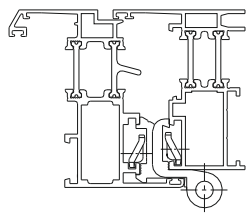


Window hinges: MORSA+, MORSADUE+

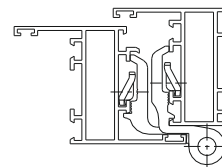
Range of hinges series 1122



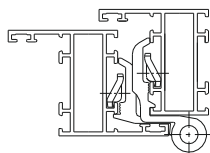
1122



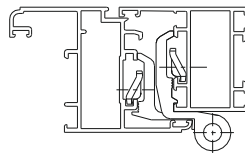
1122.1



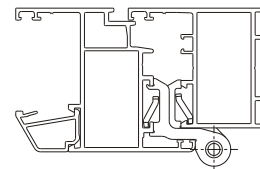
1122.6



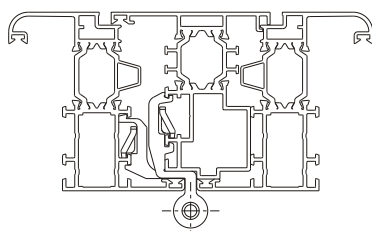
1122.7



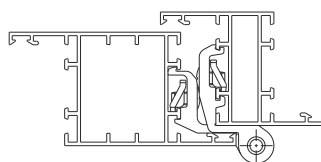
1122.9



1122.21

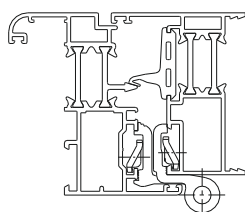
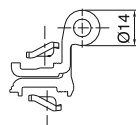
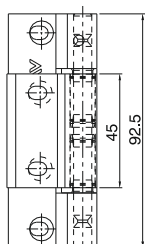


1122.31

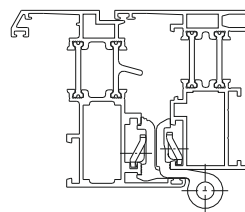


1122.81

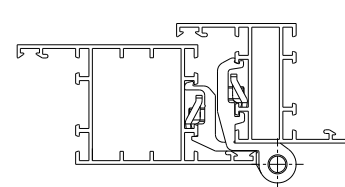
Range of 3-wing hinges



1122.200



1122.201



1122.281

Heavy duty door hinges: SUMMA+ AXIAL



RANGE OF ADJUSTABLE HEAVY HINGES FOR DOORS BUILT WITH WINDOW PROFILES

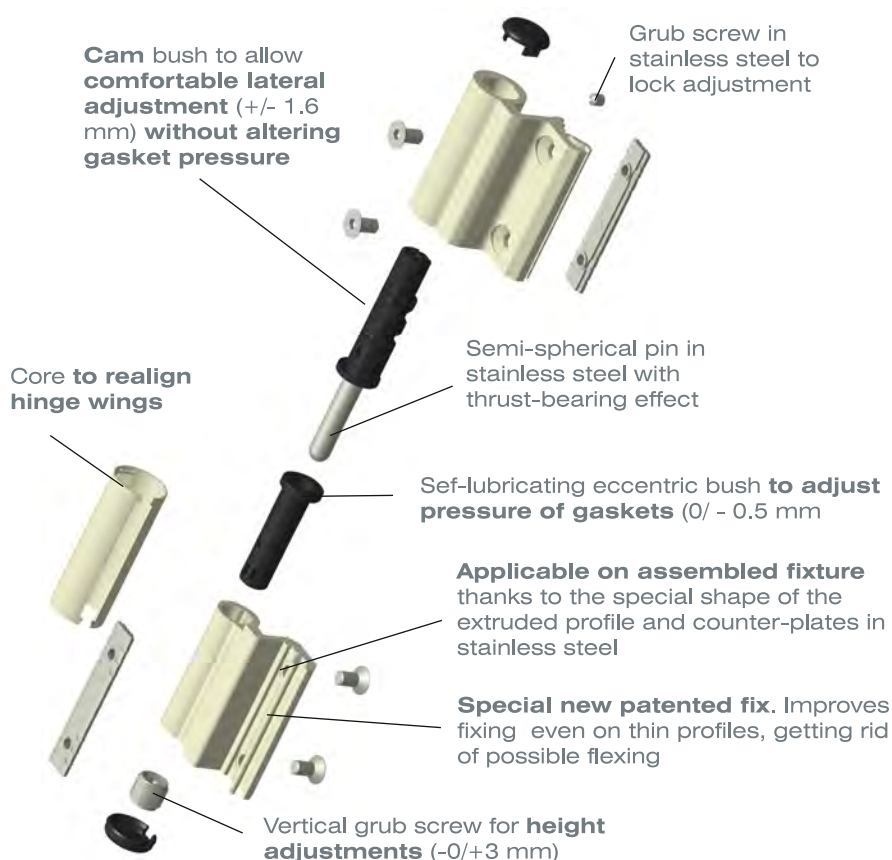
- Fixing with easy and simple installation
- Easy and independent adjustments
- Capacity tested as per standard EN 1935:2002 (200.000 cycles - door mass 100 Kg). Classification 475014012
- Broad range for all profiles
- Three different solutions with distinct features
- Counter-plates insertable on fully assembled fixture and realignable once adjusted with the opening

THREE SIMPLE, COMFORTABLE AND INDEPENDENT ADJUSTMENTS

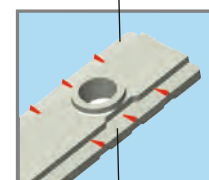
- Lateral adjustment (+/- 1,6 mm) performable on installed door by working the cam bush without changing pressure of the gaskets.
- Adjustable closing pressure (0/-0,5 mm): simply rotate the eccentric bush to reduce pressure in the gaskets.
- Adjustable height (0/+3 mm): simply work on the vertical grub screw to change the vertical height of the door.

CAPACITY AND STURDINESS

- The lifted toothed part of the counter-plate dents the surface when fitting it onto the profile, hindering its vertical slide.
- The hinge's endurance allows it to sustain high capacities 100 Kg with 2 winged hinges and 3 hinges (2 wings) to reach up to 120 Kg.
- Capacity has been tested in accordance with EN 1935:2002 "Single axis hinge".
- Special new patented fix
- Improves fixing even on thin profiles.



Counter-plates in stainless steel for improved resistance to corrosion and a more solid, durable fix.



The fixing area on the profile has a toothed section that dents the profile, preventing vertical slide of the hinges

SUMMA+ AXIAL CE Certification-EN 1935:2002



Certificat

Certificate

Compliance Certificate with the standard EN 1935
Single axis hinges

Issued pursuant to the transposition decree n° 92-647 of 8 July 1992, modified by the decrees n° 95-1051 of 20 September 1995 and n° 2003-947 of 3 October 2003, concerning the suitability of construction products, and article 14(1)(b) of the 89/106/EEC Construction Products Directive of 21 December 1988, amended by the 93/68/EEC Directive of 22 July 1993.

Issued by: Notified organization : **AFNOR Certification**
 Identification number:
 Address:

Issued by: Company :
 Address:

Products description: See appendix :

AFNOR Certification certifies that the products mentioned in annex ZA of the standard **EN 1935:2002+AC**

This certificate authorizes the manufacturer or its representative to use the CE mark.

Certificate number : CPD40 - 140016

Validity conditions and duration of the certificate :
 This certificate was issued for the first time on :

It shall remain valid until it is canceled or withdrawn unless changes being made to the products, to production, or to the manufacturing process.


It cancels and replaces the certificate issued :

Certificate issued date:



GB

11 rue Francis de Pressensé - 93571 La Plaine Saint-Denis Cedex
SAS au capital de 18 187 000 € - 479 076 002 RCS Nanterre - www.afnor.org



Certificat

Certificate

Compliance Certificate with the standard EN 1935
Single axis hinges

Appendix (1page)


Company : SAVIO S.p.a.
Certificate number : CPD40 - 140016
Certificate issued date: 19/08/2011

Products description:


Identification of the certified products (References)	Description of the products (Classification)	Place of manufacturing	Use of the products
SUMMA : 1124.30 1124.33	4 7 5 0 1 4 0 12 4 7 5 0 1 4 0 12	Chiusa San Michele	Serviceability on door unit on evacuation routes
SUMMA + : 1124.40 1124.41 1124.43	4 7 5 0 1 4 0 12 4 7 5 0 1 4 0 12 4 7 5 0 1 4 0 12		
SUMMA + AXIAL : 1124.70 1124.71 1124.73	4 7 5 0 1 4 0 12 4 7 5 0 1 4 0 12 4 7 5 0 1 4 0 12		

AFNOR Certification hereby certifies that the products given in this annex meet the requirements of annex ZA of the standard **EN 1935:2002+AC:2003**


This annex cannot be submitted nor reproduced without the document to which it refers.



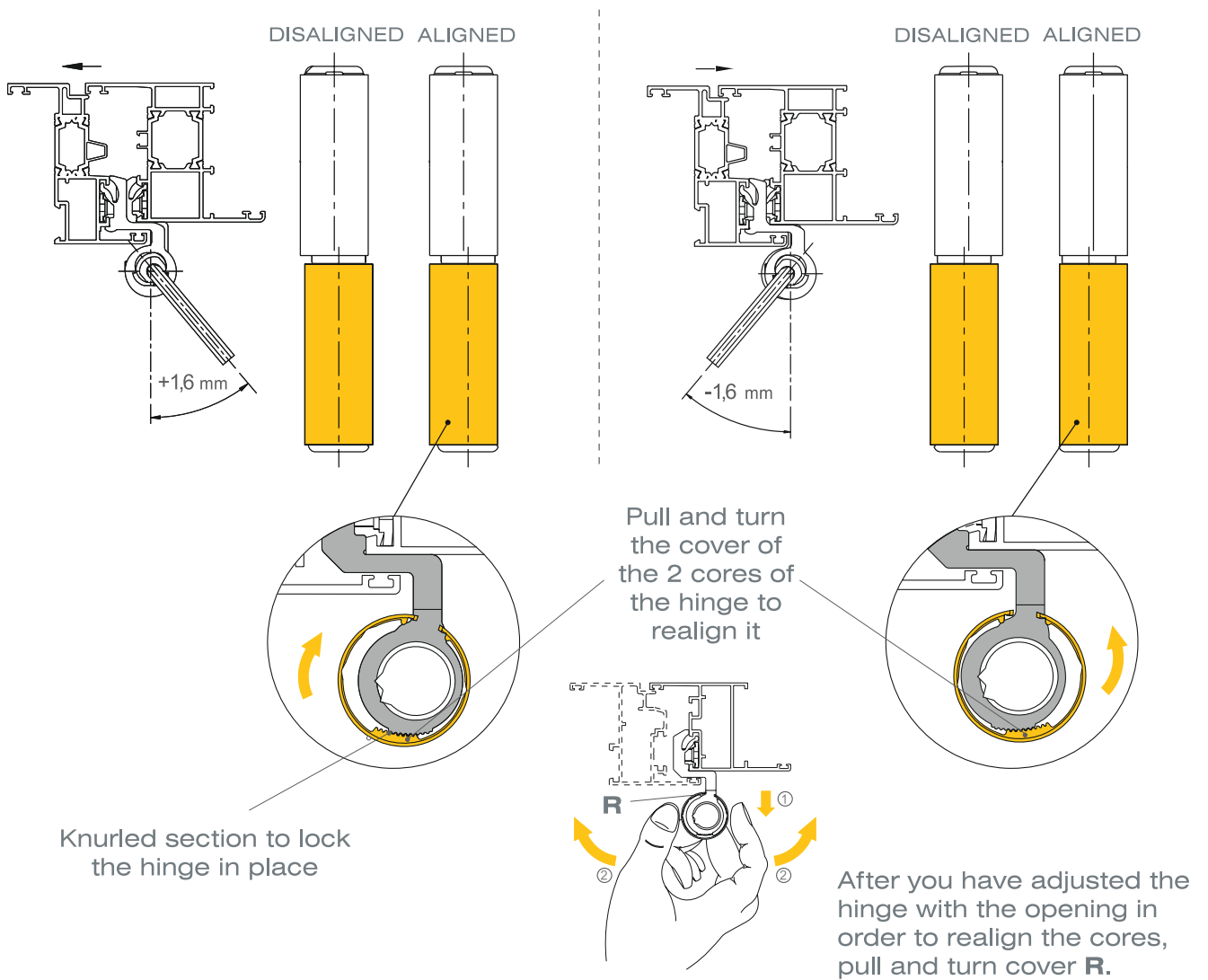
GB

Managing Director

 Florence MÉAUX

11 rue Francis de Pressensé - 93571 La Plaine Saint-Denis Cedex - France - T. +33 (0)1 41 62 80 00 - F. +33 (0)1 49 17 90 00
SAS au capital de 18 187 000 € - 479 076 002 RCS Nanterre - www.afnor.org



Hinge core re-alignment on SUMMA+ AXIAL

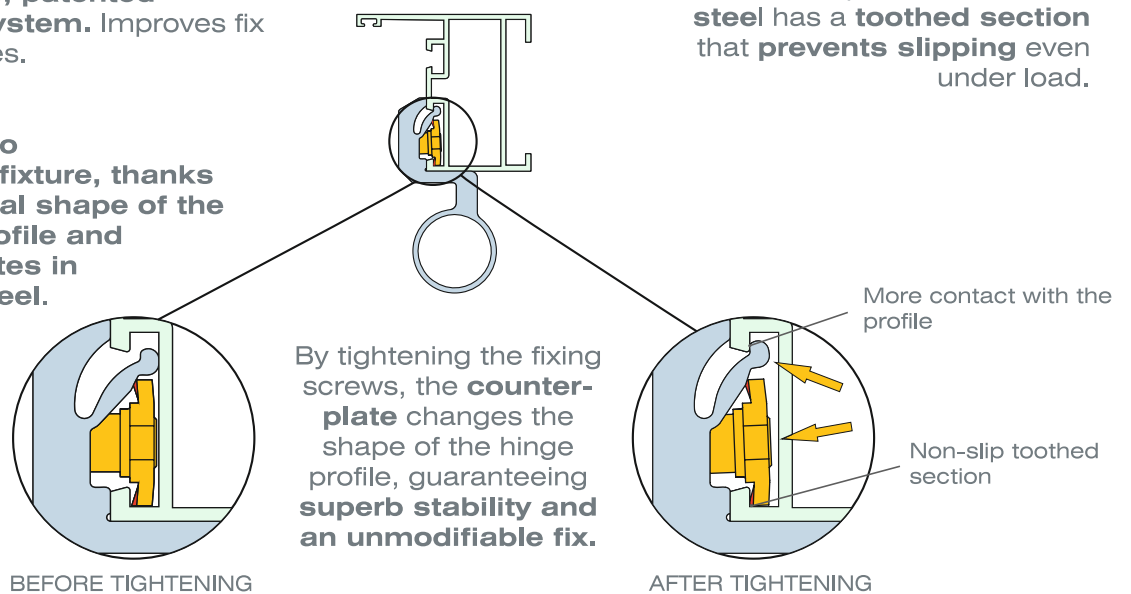


New, patented fastening system

Special new, patented fastening system. Improves fix on thin profiles.

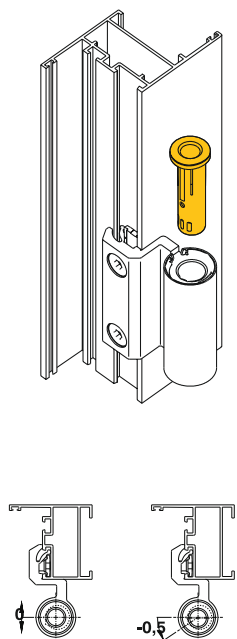
Applicable to assembled fixture, thanks to the special shape of the extruded profile and counter-plates in stainless steel.

The counter-plate in **stainless steel** has a **toothed section** that **prevents slipping** even under load.

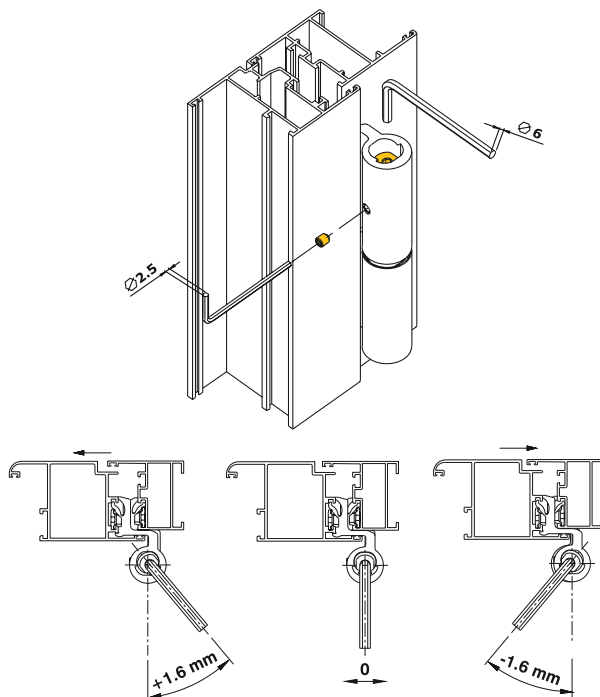


SUMMA+ AXIAL adjustments

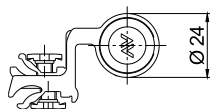
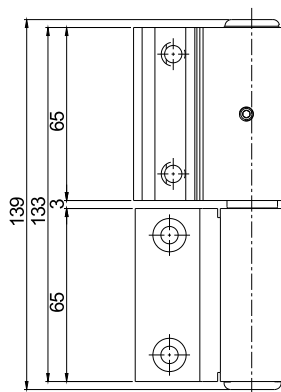
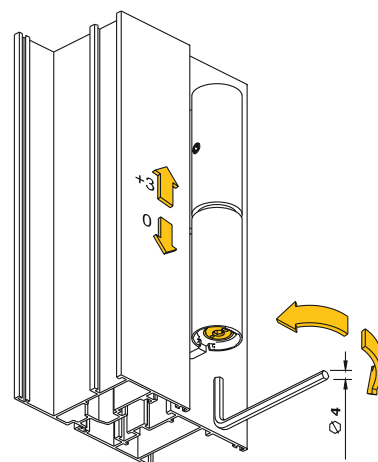
CLOSING PRESSURE ADJUSTMENT
(0/-0,5 mm)



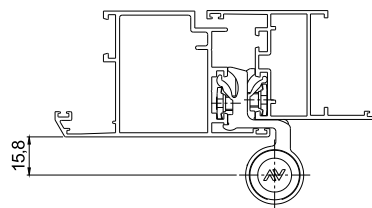
LATERAL ADJUSTMENT
(+1,6/-1,6 mm)



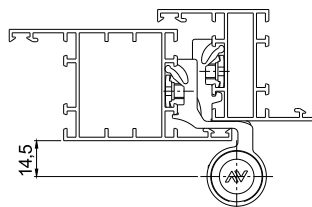
VERTICAL ADJUSTMENT
(+3/-0 mm)



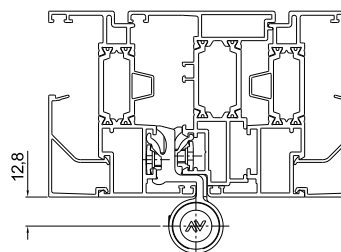
1124.70



1124.73



1124.75



Heavy duty door hinges: MECHANICA



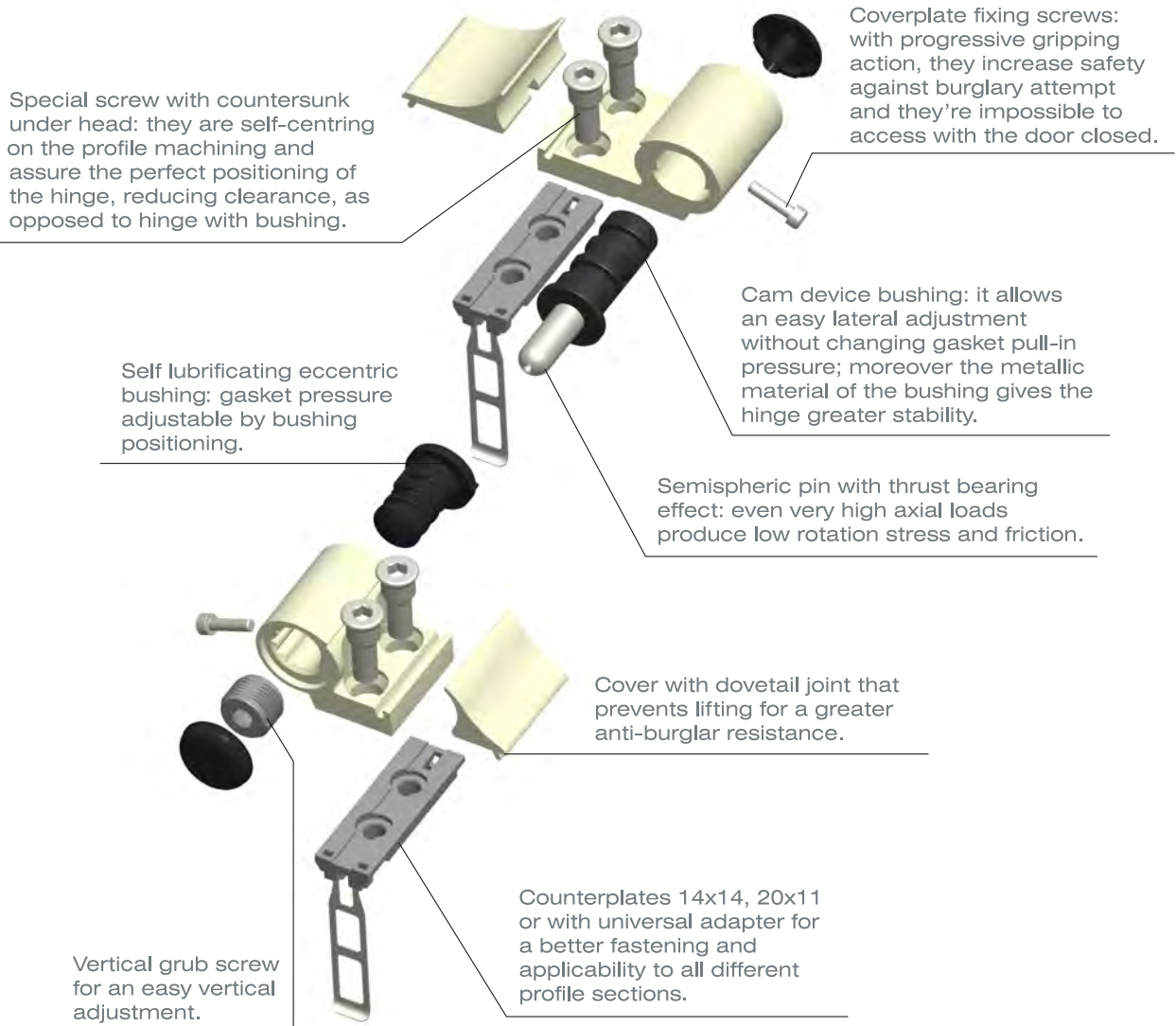
EXCLUSIVE MECHANICA PATENTS

The MECHANICA hinge is covered by 5 exclusive patents, among which:

- Adjustment system with cam device.
- Alignment of pin, bushing and adjustment grub screw (which increases fatigue life).
- Self-centring clamp screws.
- Increaser for counterplates.
- Adjustment of closing pressure by means of eccentric bushing with three settings.



EN 1935:2002



Heavy duty door hinges: MECHANICA

CONVENIENT AND INDEPENDENT ADJUSTMENT

2-WING HINGE



Lateral adjustment
Visual, convenient, micrometric, just turn the upper metal bushing:
(-/+ 2 mm)



Adjustment of closing pressure
Just rotate the lower bushing to the three different settings
(-0.5;0;+0.5 mm)



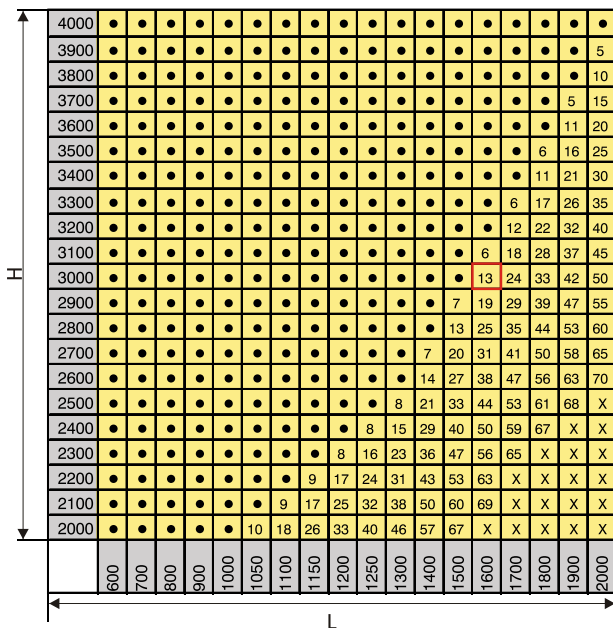
Height adjustment
Just rotate the grub screw, even with the door already installed:
(-0/+3 mm)

3-WING HINGE



MECHANICA CARRYING CAPACITY DIAGRAMS according to the standard EN 1935:2002 (CE)

Table n° 1 - Percentage of increase of leaf weight, according to leaf dimension (to choose the version of MECHANICA hinge according to its carrying capacity)



Legend: . = consider the real weight of the leaf / X = not feasible / 13 = percentage of increase of leaf weight / H = height of the leaf / L = width of the leaf

Description:

to find out the true loading capacity for the door, firstly calculate the weight of the leaf. Then according to the dimensions it may be necessary to increase this value by the percentage shown in the table 1. The results identifies the carrying capacity of the hinge you have to choose from and the version most suitable for your application can be found in the table 2.

Eg. Door dimensions H = 3000 mm L = 1600 mm, leaf dimension 125 Kg + 13% (16 kg) = 141 Kg. In this case you will find the version of the hinge you have to choose is in the family n° 1 (Table 2)

Table 2 - Summary table of MECHANICA carrying capacities

FAMILY	2 WINGS		3 WINGS		2 hinges	3 hinges
1	1145/60	1145/67	1145.3/60	1145.3/67	160 Kg	180 Kg
	1146/59	1146/62,5	1146.3/59	1146.3/62,5		
	1146/67	1146.2/62,5	1146.3/67	1146.23/62		
2	1145/79	1146/74,5	1143.36	1145.3/79	120 Kg	140 Kg
	1146/78		1146.3/74,5	1146.3/78		
3	1145/86	1145/93	1145.3/93	1146.3/84	100 Kg	120 Kg
	1145/93SM	1146/84	1146.3/89	1146.3/92		
	1146/89	1146/92	1148.3			
4	1145/53	1148			80 Kg	100 Kg
5	1145/60MR				60 Kg	80 Kg

Hinge for doors fitted with door closers

Doors closer increase the loading on door hinges and their rate of wear. For closer without back-check it is normal to allow for this by assuming the effective door mass to be 20% greater than the actual door mass. For back-check closers the effect is much greater, and the effective door mass is calculated to be 75% greater Eg.: 100 Kg mass door
 - Door closer without back-check: 100 Kg + 20% = 120 Kg (weight to consider in order to choose hinges)
 - Door closer with back-check: 100 Kg + 75% = 175 Kg (weight to consider in order to choose hinges).

NB: IF RESULTS DON'T PERMIT THE USE OF ANY HINGES IT WILL BE NECESSARY TO REDUCE THE ORIGINAL WEIGHT OF THE LEAF

MECHANICA CE Certification - EN 1935:2002



Certificat

Certificate

Compliance Certificate with the standart EN 1935
Single axis hinges

Issued pursuant to the transposition decree n° 92-647 of 8 July 1992, modified by the decrees n° 95-1051 of 20 September 1995 and n° 2003-947 of 3 October 2003, concerning the suitability of construction products, and article 14(1)(b) of the 89/106/EEC Construction Products Directive of 21 December 1988, amended by the 93/68/EEC Directive of 22 July 1993.

Issued by:	Notified organization :	AFNOR Certification
	Identification number:	0333
	Address:	11 rue Francis de Pressensé F- 93571 La Plaine Saint-Denis Cedex
Issued by:	Company :	SAVIO S.p.a.
	Address:	Via Torino 25 (S.S.25) I - 10050 Chiusa San Michele (TO)

Products description: See appendices attached (2 pages)

AFNOR Certification certifies that the products mentioned on the annex enclosed meet the requirements described in the annex ZA of the standard
EN 1935:2002+AC:2003

This certificate authorizes the manufacturer or its representative based in the EEA to use the EC marking.

Certificate number : CPD40 - 140013

Validity conditions and duration of the certificate :
This certificate was issued for the first time on : **28/02/2003**

It shall remain valid until it is canceled or withdrawn subsequent to decisions taken in the case of non-compliance or significant changes being made to the products, to production, or to production control.

It cancels and replaces the certificate issued : 12/09/2008

Certificate issued date: 15/11/2011

Managing Director



Florence MÉAUX




GB



afnor
CERTIFICATION

11 rue Francis de Pressensé - 93571 La Plaine Saint-Denis Cedex - France - T. +33 (0)1 41 62 80 00 - F. +33 (0)1 49 17 90 00
SAS au capital de 18 187 000 € - 479 076 002 RCS Bobigny - www.afnor.org



Company : SAVIO S.p.a.
Certificate number : CPD40 - 140013
Certificate issued date: 15/11/2011


Identification of the certificate (References)
MECHANICA : 1145/60 1145.3/60 1145/67 1145.3/67 1146/84 1146.3/84 1145/86 1146/89 1146.3/89 1146/92 1146.3/92 1145/93 1145.3/93 1145/93SM 1146/74.5 1146.3/74.5 1146/78 1146.3/78



Company : SAVIO S.p.a.
Certificate number : CPD40 - 140013
Certificate issued date: 15/11/2011

Products description: MECHANICA :
1145/60
1145.3/60
1145/67
1145.3/67
1146/84
1146.3/84
1145/86
1146/89
1146.3/89
1146/92
1146.3/92
1145/93
1145.3/93
1145/93SM
1146/74.5
1146.3/74.5
1146/78
1146.3/78

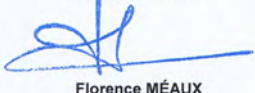
Identification of the certificate (References)
MECHANICA : 1145/79 1145.3/79 1146/59 1146.3/59 1146/62.5 1146.3/62.5 1146/67 1146.3/67 1146.2/62 1146.23/62 1145/53 1145/60MR 1143.36 1148 1148.3 1144/67B




GB

AFNOR Certification hereby certifies that the products mentioned on the annex enclosed meet the requirements described in the annex ZA of the standard
EN 1935


This annex cannot be submitted for certification



Managing Director
Florence MÉAUX




GB



afnor
CERTIFICATION

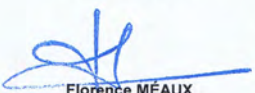
11 rue Francis de Pressensé - 93571 La Plaine Saint-Denis Cedex - France - T. +33 (0)1 41 62 80 00 - F. +33 (0)1 49 17 90 00
SAS au capital de 18 187 000 € - 479 076 002 RCS Bobigny - www.afnor.org




GB

AFNOR Certification hereby certifies that the products mentioned on the annex enclosed meet the requirements described in the annex ZA of the standard
EN 1935


This annex cannot be submitted for certification



Managing Director
Florence MÉAUX



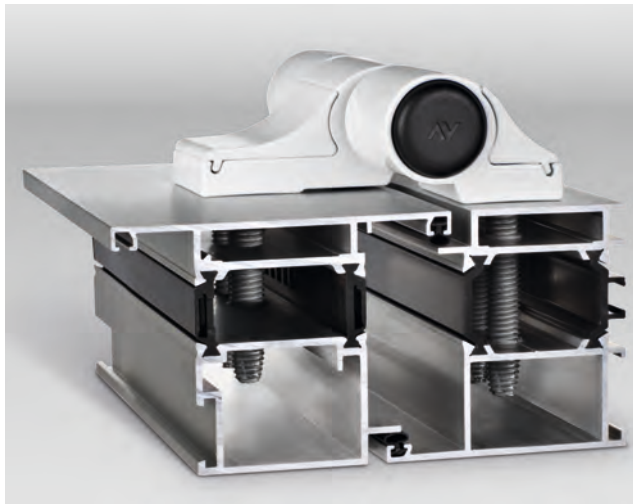
GB



afnor
CERTIFICATION

11 rue Francis de Pressensé - 93571 La Plaine Saint-Denis Cedex - France - T. +33 (0)1 41 62 80 00 - F. +33 (0)1 49 17 90 00
SAS au capital de 18 187 000 € - 479 076 002 RCS Bobigny - www.afnor.org

Heavy duty door hinges: MECHANICA, FIXIA screws

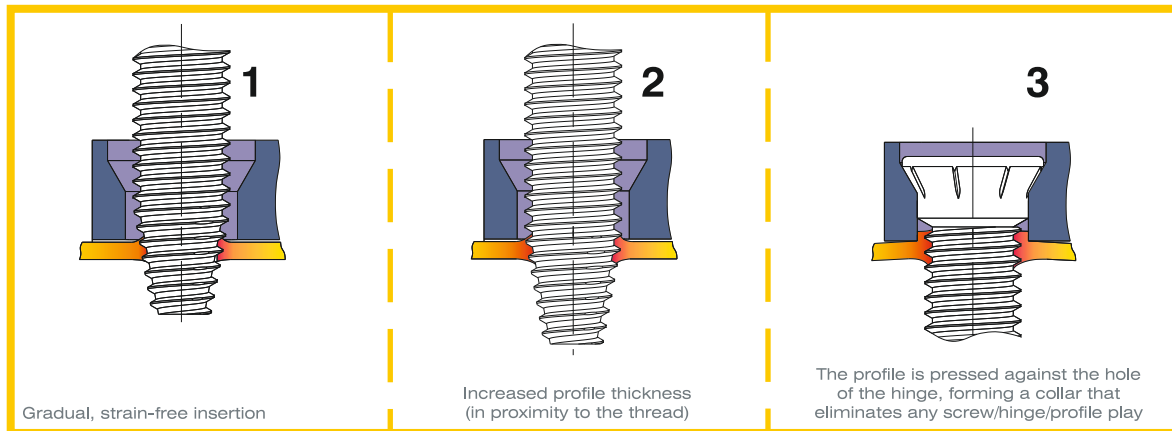


RANGE OF FIXING KITS FOR 2 AND 3-WING MECHANICA HINGES

- For thermal cut profiles only
- Can be applied to all existing MECHANICA hinges
- White galvanized and stainless steel versions
- Self-tapping
- Different lengths available
- High tightening torques

FIXING

The **Fixia** screw allows a very solid fixing to the profile. Thanks to its special shape with tapered tip, it increases the gripping thickness of the thread created on the aluminium profile. While it is inserted, the screw gradually widens the hole and increases the thickness (doubles) of the thread. This phenomenon, called **heading effect**, guarantees very high tightening torques and consequently very sturdy fixing.

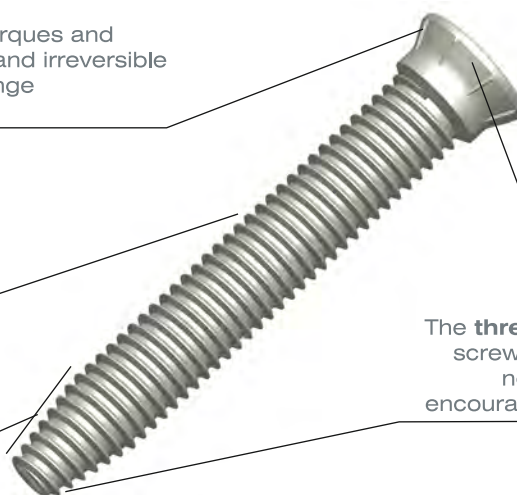


Keying:

It allows high tightening torques and guarantees a permanent and irreversible locking, preventing any hinge deformation.

The **lubricating lining** makes for smoother insertion.

Special shape for gradual heading.



Tapering:

It perfectly lines up the holes of the profiles to the hinge, thus eliminating any play between the screw and the hinge.

The **three-lobed tip** allows the screw to enter gradually with no excess pressure, and encourages the thread to form.

Heavy duty door hinges: MECHANICA, FIXIA screws



SAVIO FIXIA
CAN HOLD
1,230 TIMES
ITS WEIGHT.

230 KG.

Savio's new Fixia screw is a special screw patented for **Mechanica** and for thermal cut profiles that offers record performances:

- Weight capacity of 230 kg, in compliance with EN 1191:2002
- Can be used in combination with the standard versions of the Mechanica hinge
- Can be used on single-piece and stepped hinges
- Significant reduction in drilling mistakes
- No special assembly tools needed

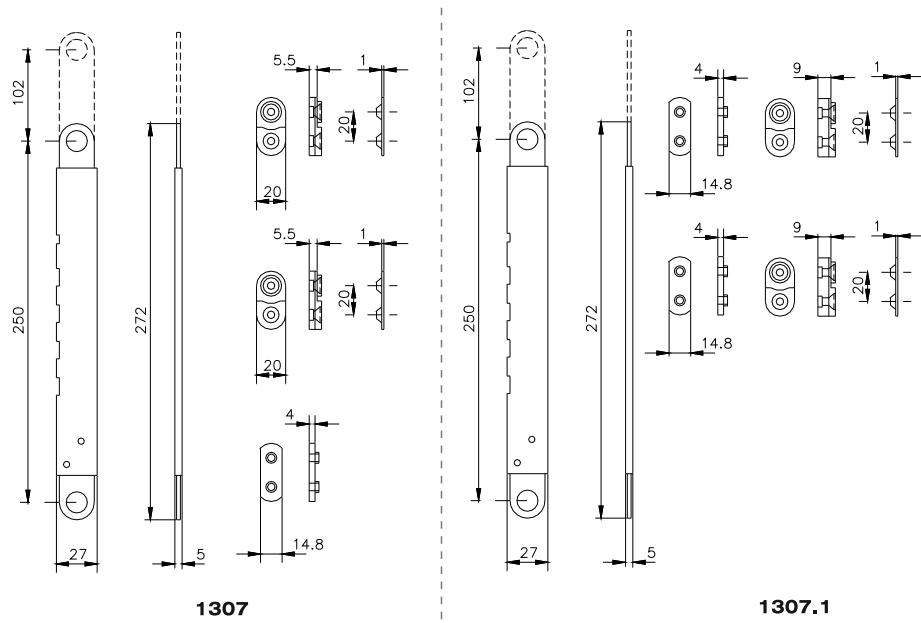
Standard EN 1191:2002: The test, carried out under actual utilization conditions at the IFT facilities of Rosenheim, exceeded 200,000 cycles using a **230-kg** leaf with dimensions of L=1100 X H=2200, made with a profile 1,7 mm thick, with two 2-wing **Mechanica** hinges (1146/62.5) secured by means of the **Fixia** system. This result has made it possible to achieve **level "6"** of the classification according to standard EN 12400:2002, which corresponds to frequent door use (certification program QM 343).

For the weight capacities of the **Mechanica** hinges, in case of use on escape route doors, please refer to the results obtained in tests carried out according to **standard EN 1935:2002** (visit the Savio website, in the Technical Documentation section, and select the item Certification).

Multi-position arms for top hung windows



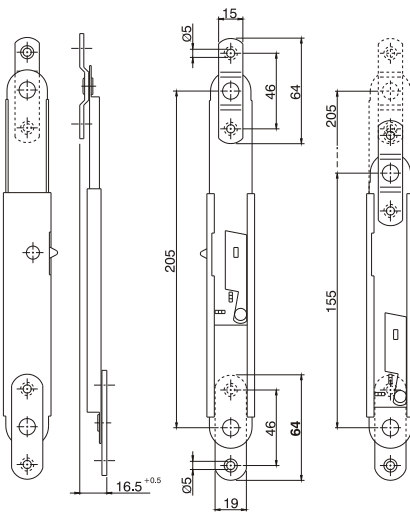
1307-1307.1



Code	Description	Pcs.
1307	Adjustable multiposition arm for top hung casement opening out, in stainless steel 430, 2 hinge pivots (5.5 mm) and 1 nylon spacer (4 mm), 4 countersunk head screws Ø 4.8x25 in stainless steel 304. Suitable for profiles with clearance of 13-18 mm. Weight capacity: 2 arms 70 Kg.	20
1307.1	Adjustable multiposition arm for top hung casement opening out, in stainless steel 430, 2 hinge pivots (9 mm) and 2 nylon spacer (4 mm), 4 countersunk head screws Ø 4.8x25 in stainless steel 304. Suitable for profiles with clearance of 21-30 mm. Weight capacity: 2 arms 70 Kg.	20



1307.8



1307.8

Code	Description	Pair
1307.8	Pair of adjustable two-position arms (LH+RH) for top hung casement opening out, with open position stop device, in stainless steel 316. Suitable for profiles with clearance of 16,5 mm.	5

Curtain wall: Friction hinge+multipoint locking solution

HANDLE FOR CURTAIN WALLS



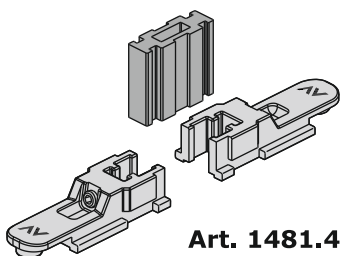
875.8R



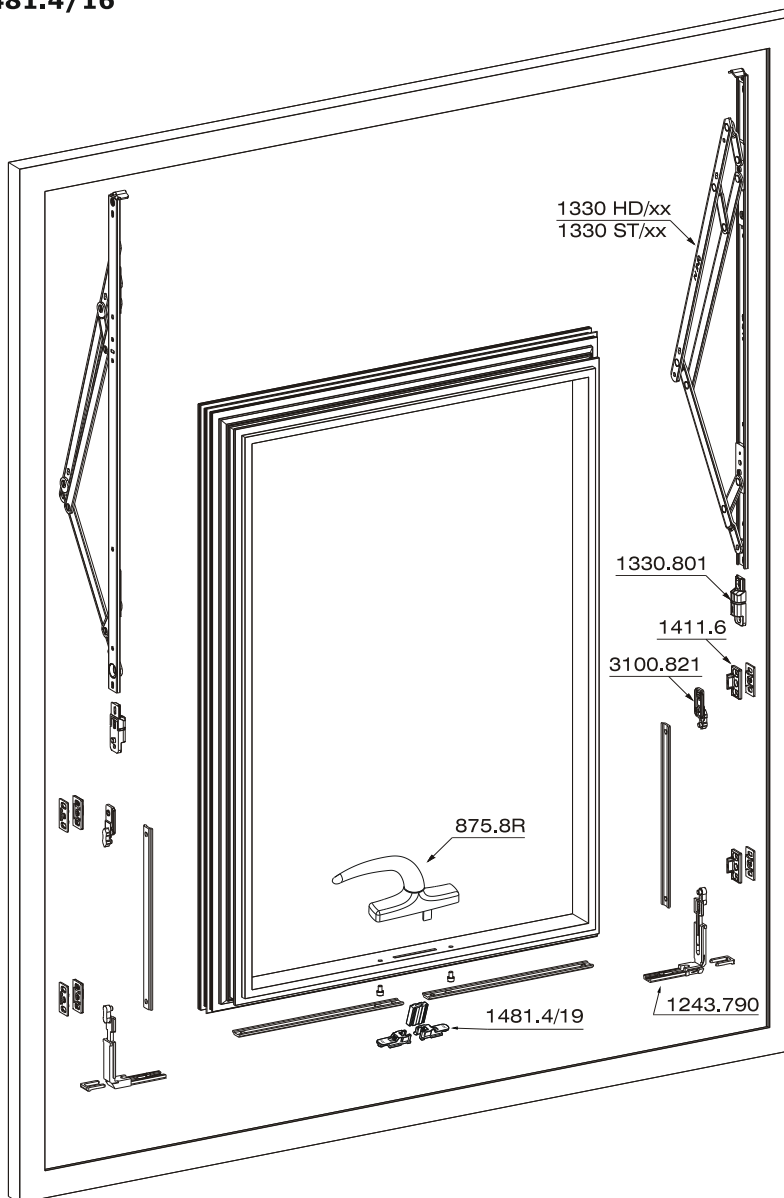
875.753R



875.8L



Art. 1481.4/16



Curtain wall: Variable geometry frictioning stay arms



- TOP HUNG OPENINGS
- SIDE HUNG OPENINGS



TOP HUNG OPENINGS

- Wide range
- Heavy Duty and standard versions available
- Easy to install
- Longlasting
- High performances: tested according to EN 13126-6 for 25.000 cycles
- Austenitic AISI 304 stainless steel

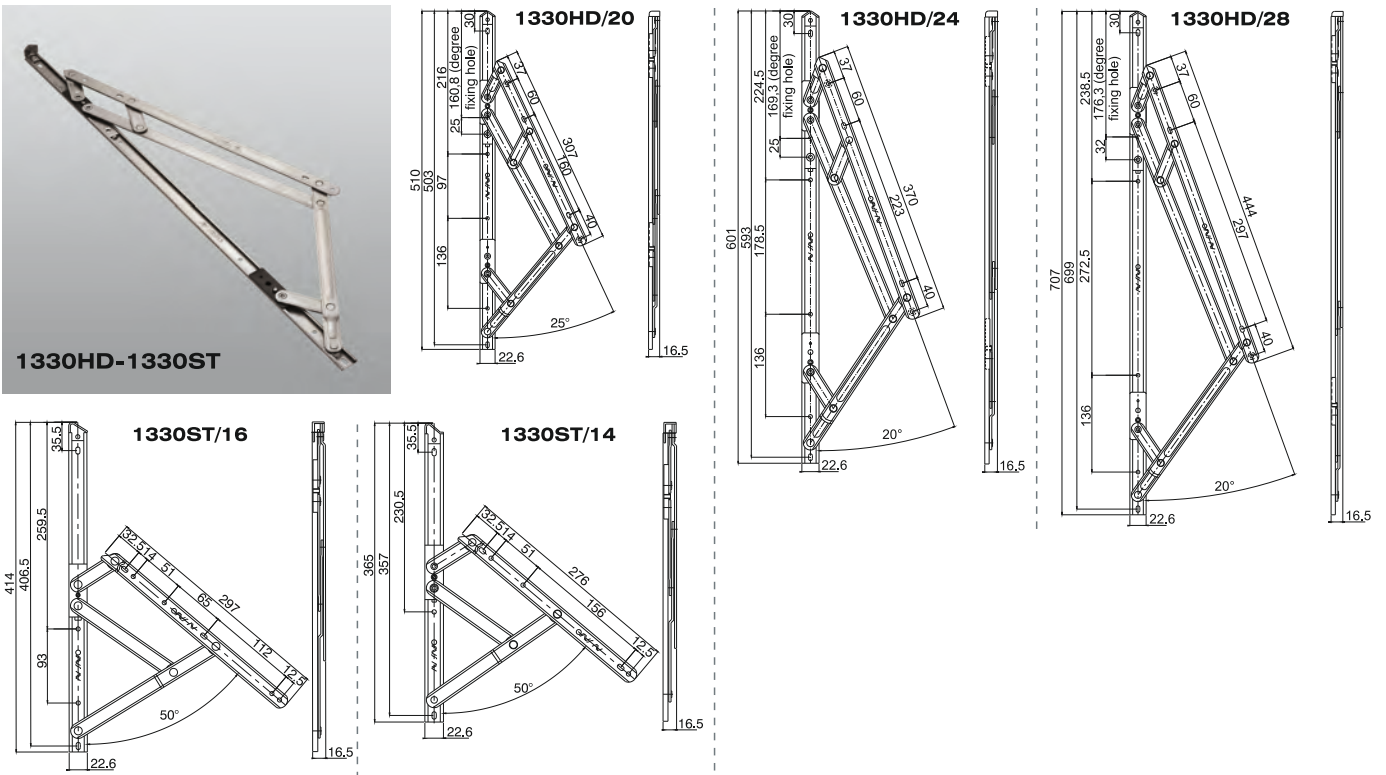
SIDE HUNG OPENINGS

- Standard versions available
- Easy to install
- Longlasting
- High performances: tested according to EN 13126-6 for 25.000 cycles
- Austenitic AISI 304 stainless steel

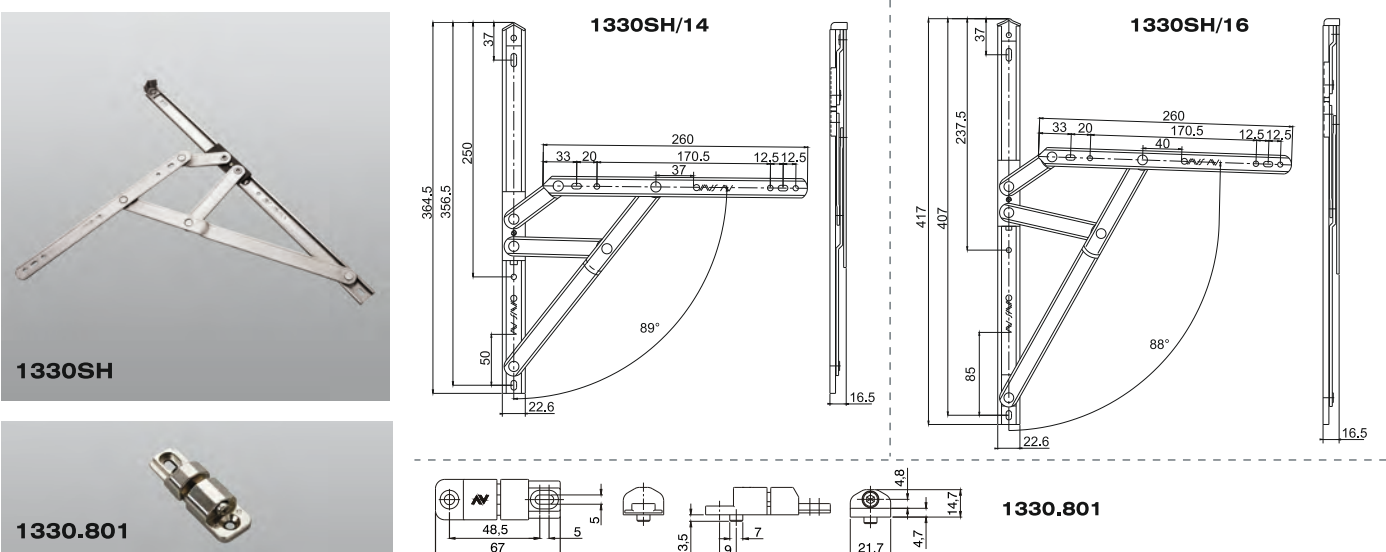


CODES		TOP or SIDE HUNG	MIN/MAX HEIGHT (mm)	MIN/MAX WIDTH (mm)	WEIGHT CAPACITY (Kg)	OPENING ANGLE (±2°)
1330HD/20	20"	Top hung	1400/1600	1600	115/108	20/25
1330HD/24	24"	Top hung	1600/1800	1800	125/120	15/20
1330HD/28	28"	Top hung	1800/2000	2000	135/130	15/20
1330ST/14	14"	Top hung	650/850	1200	48	50
1330ST/16	16"	Top hung	800/1000	1200	53	50
1330SH/14	14"	Side hung	1200	550/700	43	88
1330SH/16	16"	Side hung	1200	650/800	45	88

Curtain wall: Variable geometry frictioning stay arms



Code	Description	Pair
1330HD/20	Stay arm for top hung window, length of 20" (508 mm) , in austenitic (not magnetic) AISI 304 stainless steel, non-handed, with opening restrictor device and adjustment frictioning grub screw, opening angle 20° or 25°. Weight capacity 115/108 Kg (253,53/238,09 lbs).	5
1330HD/24	Like art. 1330HD/20 but length of 24" (609,6 mm) and opening angle 15° or 20°. Weight capacity 125/120 Kg (275,58/264,55 lbs).	5
1330HD/28	Like art. 1330HD/20 but length of 28" (711,2 mm) and opening angle 15° or 20°. Weight capacity 135/130 Kg (297,62/286,60 lbs).	5
1330ST/14	Stay arm for top hung window, length of 14" (355,6 mm) , in austenitic (not magnetic) AISI 304 stainless steel, adjustment frictioning grub screw, opening angle 50°. Weight capacity 48 Kg (105,82 lbs).	5
1330ST/16	Like art. 1330ST/14 but length of 16" (406,40 mm). Weight capacity 53 Kg (116,84 lbs).	5



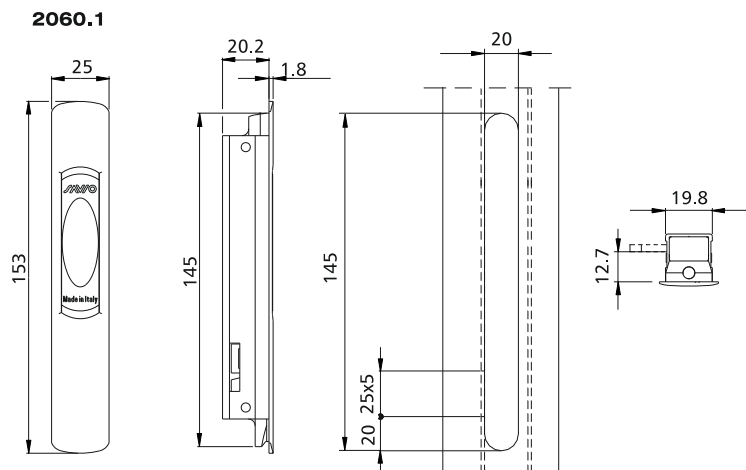
Code	Description	Pair
1330SH/14	Stay arm for side hung window, length of 14" (355,6 mm) , in austenitic (not magnetic) AISI 304 stainless steel, adjustment frictioning grub screw, opening angle 88°. Weight capacity 43 Kg (94,80 lbs).	5
1330SH/16	Like art. 1330SH/14 but length of 16" (406,40 mm). Weight capacity 45 Kg (99,208 lbs).	5
1330.801	Height adjustment device in white galvanized zamak.	10 pcs.

Sliding solutions: LATODUE



SNAP LATERAL CLOSING DEVICE FOR SLIDING MECHANISMS

- New rounded design
- Complete range
- Concealed fixing: Fixing is not visible when the lever is in normal position
- Reduced dimensions and standard machining



Rounded shapes to better combine with shaped profiles.

Pre-assembled concealed blocking screw. Quicken the assembly phases, permits to correct any working mistakes giving a better aesthetics.

Manoeuvring lever in line with the cover; it can be operated from any position.

Preassembled grub screw for the fixing of the locking piece.

Chamfered manoeuvring hole to avoid sharp edges.

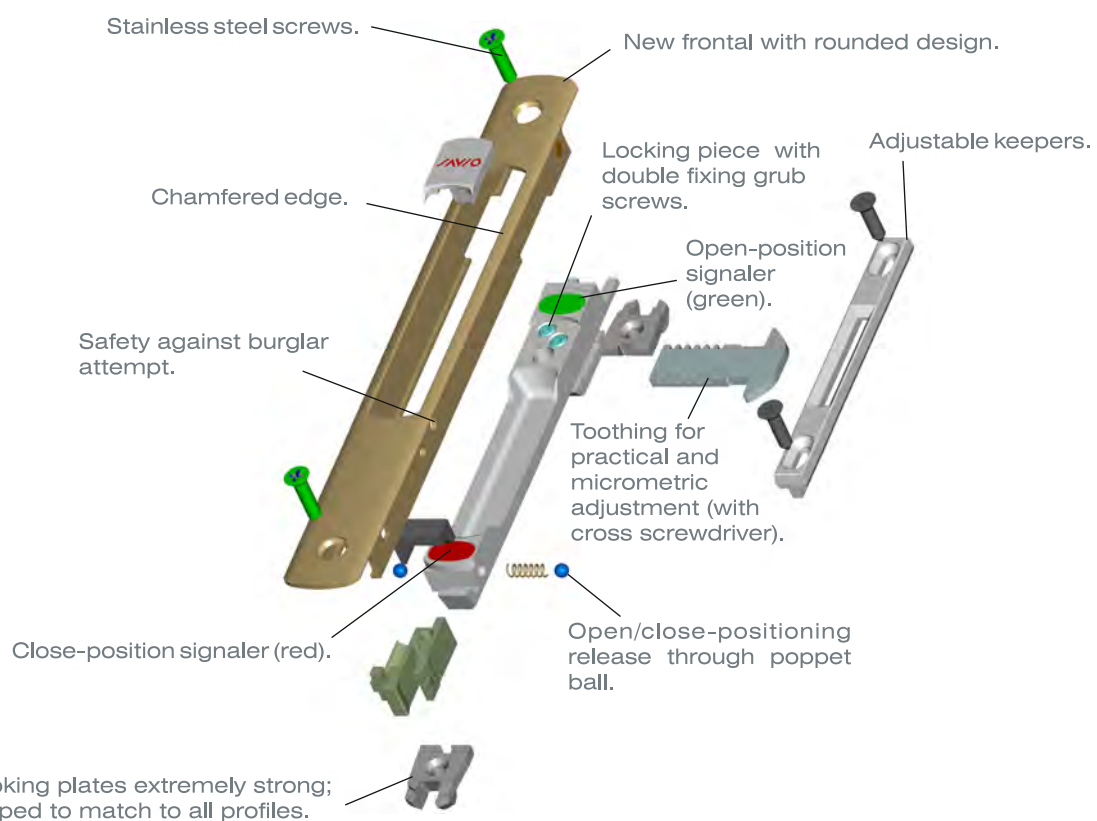
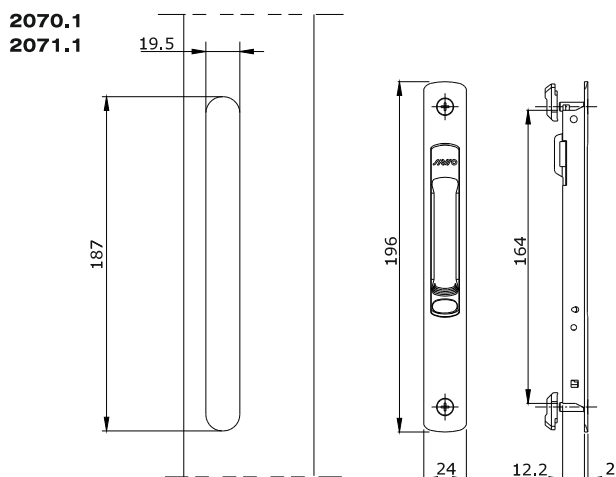
Inclined surface for a strong fixing on any profile thickness.

Sliding solutions: MODULODUE



LOCKING SYSTEMS FOR SLIDING WINDOWS AND DOORS

- Rounded design
- Wide range for all sliding profile solutions
- Safe against burglar attempt



Sliding solutions: MODULODUE



2073.1



2075.1



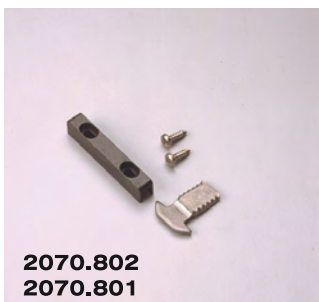
2076.1



2080



2080.1



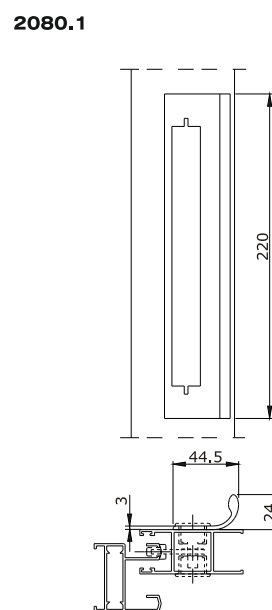
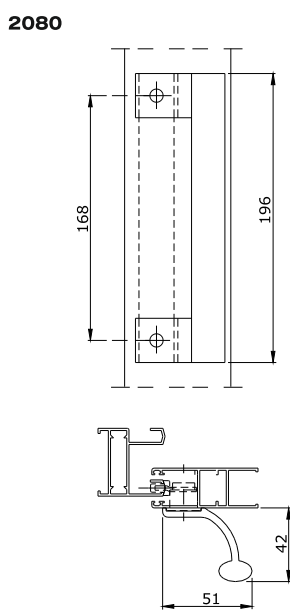
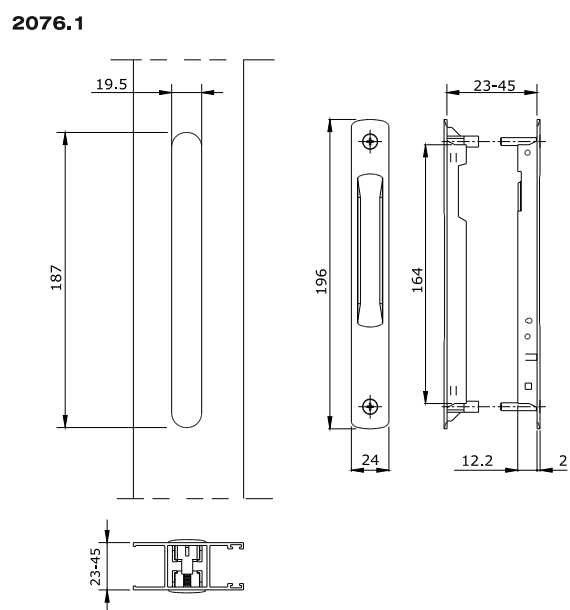
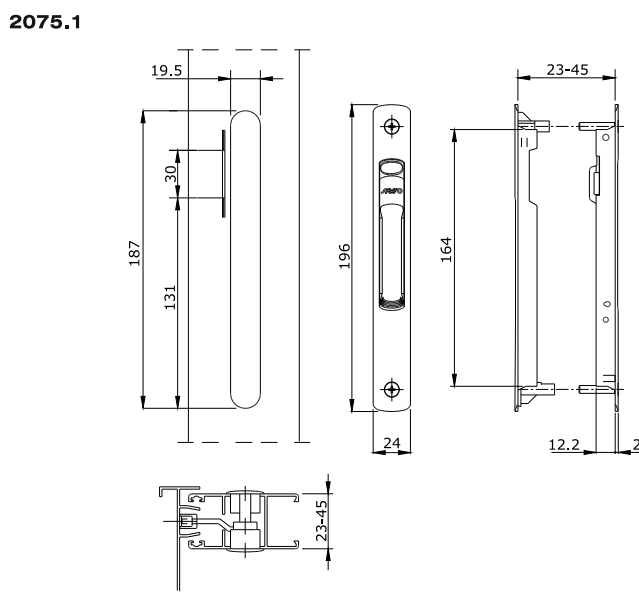
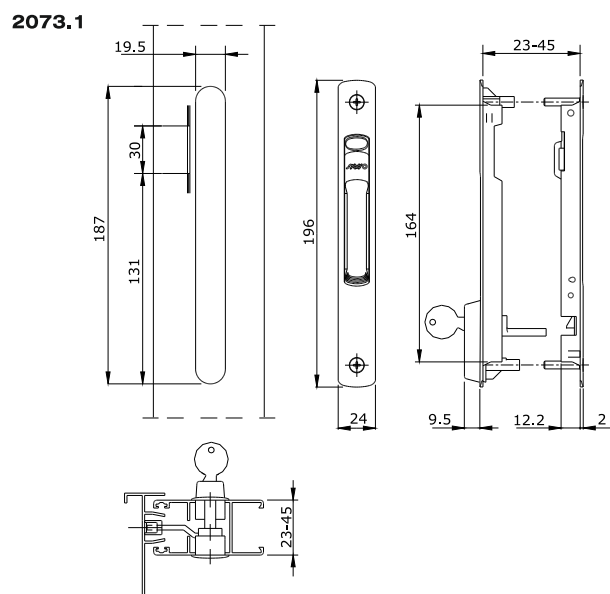
2070.802
2070.801



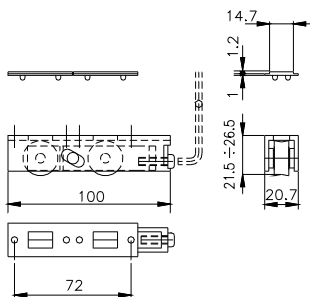
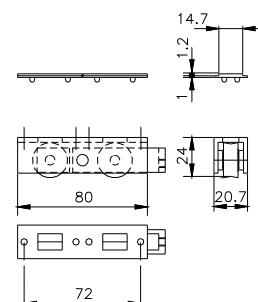
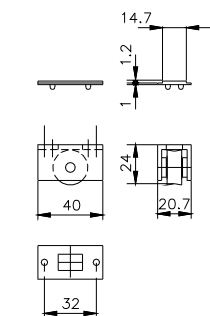
2070.803



2070.820



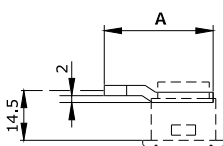
Sliding solutions: Accessories



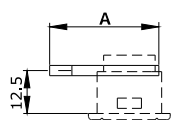
Code	Description	Pcs.
2105	Fixed single-wheel roller with shielded ball bearing, in aluminium, 1 nylon spacer and 2 cap screws Ø 3,9x13 in galvanized steel. Weight capacity: 2 rollers 75 Kg.	20
2108	Two-wheel fixed roller with shielded ball bearings, in aluminium, 2 nylon spacers and 2 cap screws Ø 3,9x13 in galvanized steel. Weight capacity: 2 rollers 150 Kg.	20
2110	Two-wheel adjustable roller with shielded ball bearings, in aluminium, 2 nylon spacers and 2 cap screws Ø 3,9x13 in galvanized steel. Weight capacity: 2 rollers 150 Kg.	20



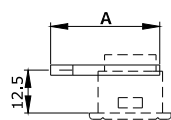
Code	Description	Pcs.
2070.830 ÷ .848	(patented) Series of locking pieces in stainless steel 430.	40



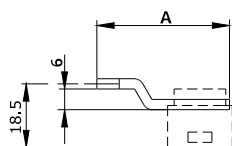
Art.	A
2070.830	38,5
2070.834	31,5



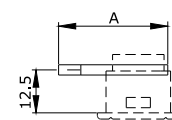
Art.	A
2070.832	35,5
2070.833	32
2070.839	43,5
2070.840	38,5



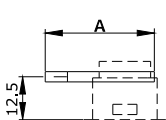
Art.	A
2070.833	32
2070.839	43,5
2070.840	38,5
2070.841	40,5



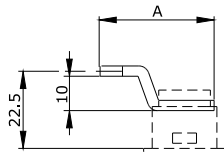
Art.	A
2070.835	38,5
2070.838	33,5



Art.	A
2070.841	40,5
2070.842	30
2070.843	55

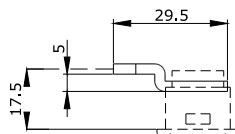


Art.	A
2070.842	30
2070.843	55

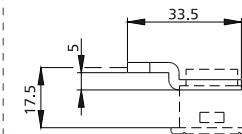


Art.	A
2070.844	35
2070.845	49,5

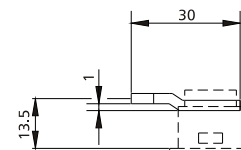
2070.846



2070.847



2070.848



Tilt and slide patio door: SLIDEART TS

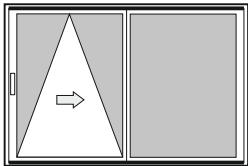


TILT AND SLIDING MECHANISMS

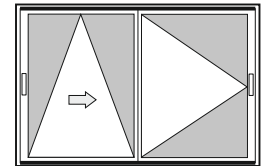
- Top performance: weight capacities up to 150 Kg, height max. 2700 mm and width max. 1700 mm
- Versatility of use
- Opening of 133 mm
- Restyled and enhanced aesthetics
- Resistance to corrosion
- Easy to assemble

POSSIBLE COMBINATIONS:

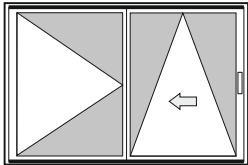
Thanks to the versatility of the product, the choice of the possible combinations is pretty much endless.



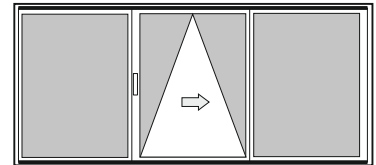
E.g.: LH sash with lateral fixed light



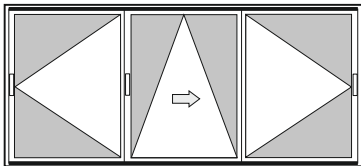
E.g.: LH sash with opening leaf



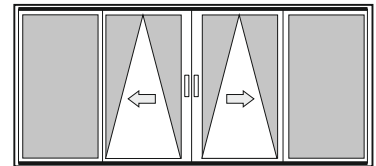
E.g.: RH sash with lateral opening leaf



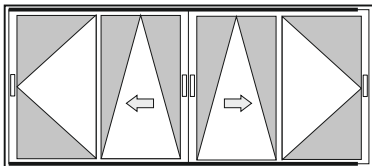
E.g.: LH sash with lateral fixed lights



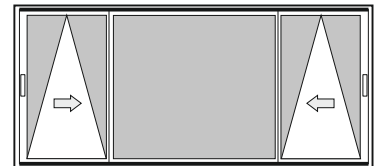
E.g.: LH sash with opening leaves



E.g.: LH/RH sashes with lateral fixed lights



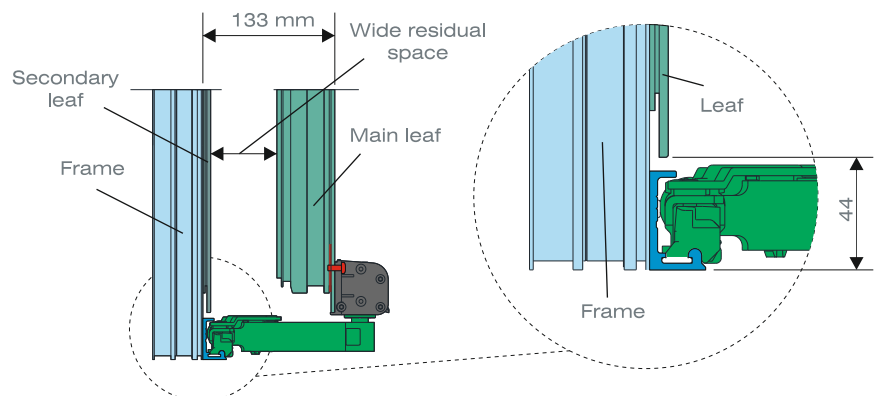
E.g.: LH/RH sashes with 2 opening leaves



E.g.: LH/RH sashes with central fixed light

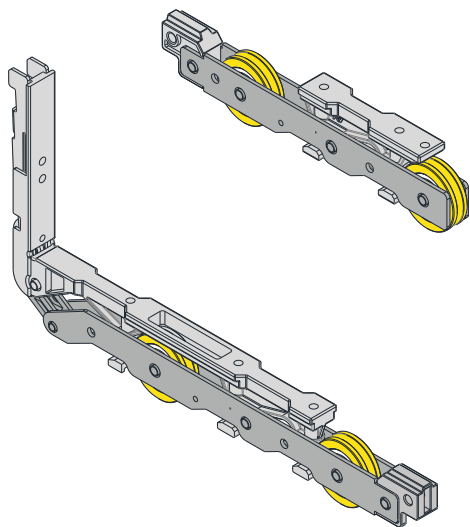
LOWER ROLLERS:

The growing need to install on lengthier profiles has led us to increase the range of available rollers up to **133 mm**. This allows also to overcome obstacles as hinges or handles applied on the secondary door.



Lift and slide patio door: SLIDEART LS

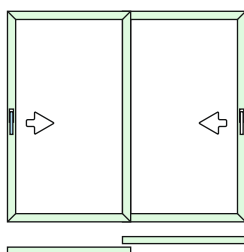
LIFT AND SLIDING MECHANISMS



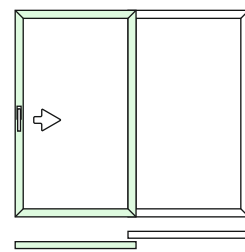
- Extremely high corrosion strength
- Operation guarantees in seacoast areas or in case of aggressive atmospheres
- Very high weight capacity: up to 300 kg
- Wide field of application; shutter L = 1100 ÷ 2850 mm; H = 1801 ÷ 3100 mm
- Very smooth sliding movement
- Large suitability thanks to a wide range of spacers and locking pieces
- Suited for profiles flush with the floor
- Anti-burglar security with pre-setting for cylinder with European shape
- Micro-ventilation

OPENING TYPES:

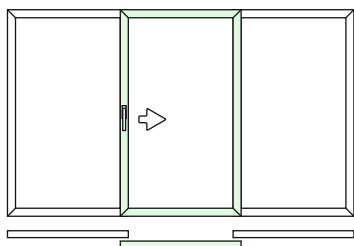
By combining multiple basic accessories, different types of openings can be obtained with 2, 3 or 4 sashes.



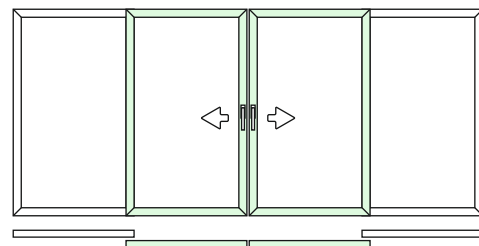
Type FA
N°2 sashes that can be opened



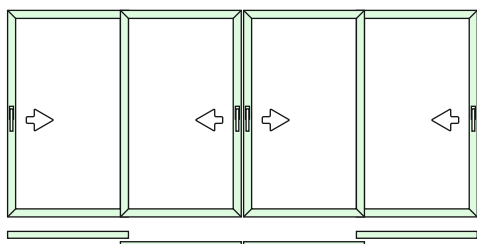
Type FD
N°1 sash that can be opened



Type FG
N°1 sash that can be opened



Type FC
N°2 sashes that can be opened



Type FF
N°2 sashes that can be opened

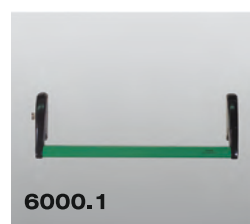
— fixed sash
— fixed sash

Panic door and exit devices: BERNINI



WITH EC MARK, IN COMPLIANCE WITH STANDARD EN 1125:2008

- Exclusive Pininfarina design
- Complete application adaptability
- Fast and easy installation
- Functional safety and reliability
- Also available in the version for fire-resistant doors



Horizontal non-handed panic bar with 1 locking point

6000.1



External access device, idle handle

6000.875



Vertical rod non-handed panic bar with 2 locking points

6000.2



Vertical rod non-handed panic bar with 3 locking points

6000.3

BERNINI LEVER PANIC HANDLE. ALSO IN THE FIRE-RESISTANT VERSION.

Featuring an exclusive Pininfarina design, Bernini's range of panic handles expands its application solutions thanks to the new range of keepers, also sold separately. All versions are available in either a complete individual package or in separate packages that can be assembled.

Conforming to European Standard UNI EN 1125 and with EC marking obtained at the highest levels, Bernini sets new standards for panic handles, not only for the Pininfarina design and the overall ergonomics of the product. Bernini's panic handles feature extraordinary care for the finishing details, easy assembly, non-handed configuration, and the utmost application adaptability: horizontal/vertical, with 1/2/3 locking points, for doors in wood, iron, aluminium or PVC.



DESIGNED TO STAND THE TEST OF TIME. FUNCTIONAL LIKE THE FIRST DAY OF OPERATION.

High level of security against burglary attempts. Sturdy and efficient mechanisms. High quality materials and finishes. Tested up to 2,000,000 opening/closing cycles, a Bernini panic handle was designed to stand the test of time, maintaining the same functional characteristics as the day you first saw it in the workshop.

DESIGN IS BEAUTY AND FUNCTIONALITY. YOU CAN TAKE PININFARINA'S WORD FOR IT, AND SAVIO'S.

In the field of industrial design, the name Pininfarina certainly requires no introduction. The cooperation with Savio, which began even before Bernini, is a sharing of values under the sign of the purest design, in other words the union of beauty and functionality in one item.

Panic door and exit devices: BERNINI

2.000.000 cycles⁽¹⁾

(1) Does not refer to panic handles equipped with electrical strike art. 6000.820, which are validated at 200,000 cycles.

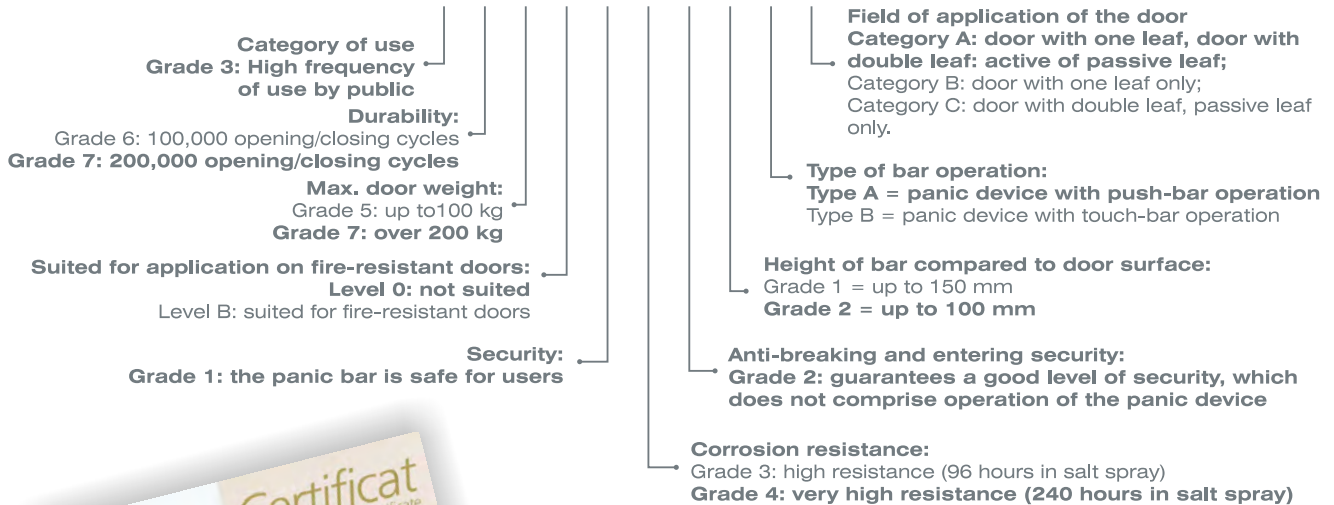
The products listed in the certificate guarantee a high number of opening/closing cycles (200,000 cycles), which allow frequent use. This information, combined with other important elements that make it possible to evaluate the performance level of the product, is listed here below:

Panic handles certification.

BERNINI was certified based on standard EN 1125:2008, in compliance with Italian Decree no. 92-647 dated 8th July 1992, as amended by Italian Decrees no. 95-1051 dated 20th September 1995 and no. 2003-947 dated 3rd October 2003 concerning the fitness for use of construction products and with article 14(1) (b) of Directive on construction products 89/106/EEC dated 21st December 1988, as amended by Directive 93/68/EEC dated 22nd July 1993, by the French certifying institute AFNOR, which is authorized at the European level to grant the use of the EC mark. Its identification number is 0333. The tests were carried out at the prestigious CETIM institute, located in S. Etienne (France).

The various grades that can be obtained are: (BERNINI's grades in bold)

37701422AA



Please note that standard EN 1125: 2008 certifies products that can be applied to a shutter with maximum width of 1300 mm and maximum height of 2500 mm. For all doors with larger dimensions, the product cannot be certified (6000.B/1500, 6000.721). For these door typologies, out of the standard application fields, voluntary tests have been run at CETIM (notified French laboratory).



SAVIO S.p.A.

Via Torino, 25 (s.s. 25) - 10050 Chiusa S. Michele (TO) - Italy
Tel. +39 011 9643464 - Fax +39 011 9643474
e-mail: savio@savio.it - www.savio.it

